

MATERIAL & FINISH:

- 1 BODY: STAINLESS STEEL 316L, PASSIVATED
- 2 CENTER CONTACT: BERYLLIUM COPPER, GOLD OVER NICKEL PLATED
- 3 INSULATOR: PTFE
- 4 EPOXY: EPOXY RESINS
- 5 O-RING: SILICONE RUBBER
- 6 EMI GASKET: CONDUCTIVE ELASTOMER

ENVIRONMENTAL DATA:

- 1 TEMPERATURE RANGE: -65°C ~ +125°C
- 2 2011/65/EU(RoHS) AND 2015/863/(RoHS): COMPLIANT
- 3 1907/2006/EC(REACH): COMPLIANT
- 4 PANEL LEAKAGE: IP67

ELECTRICAL DATA:

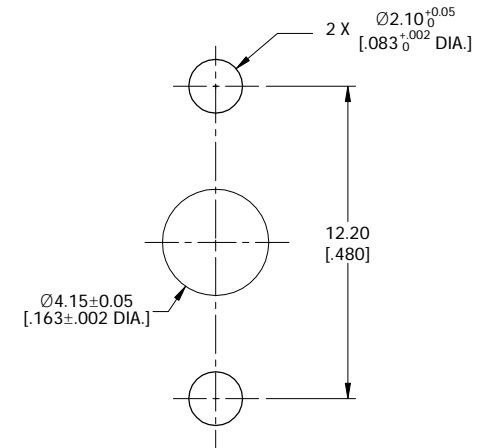
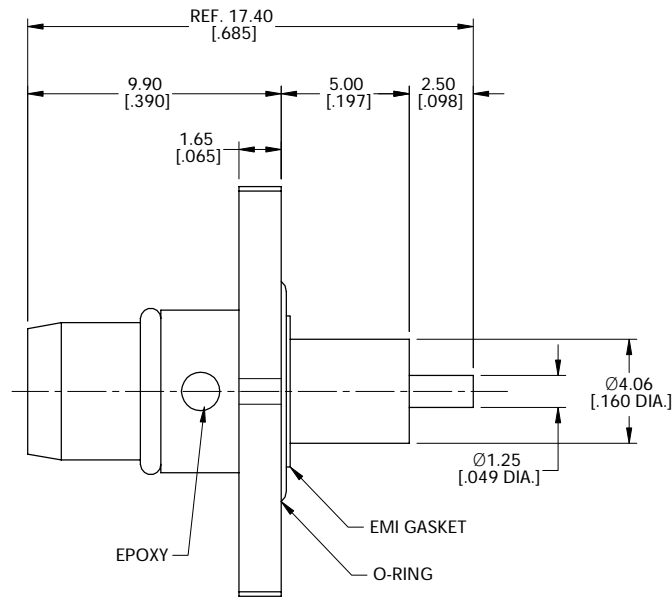
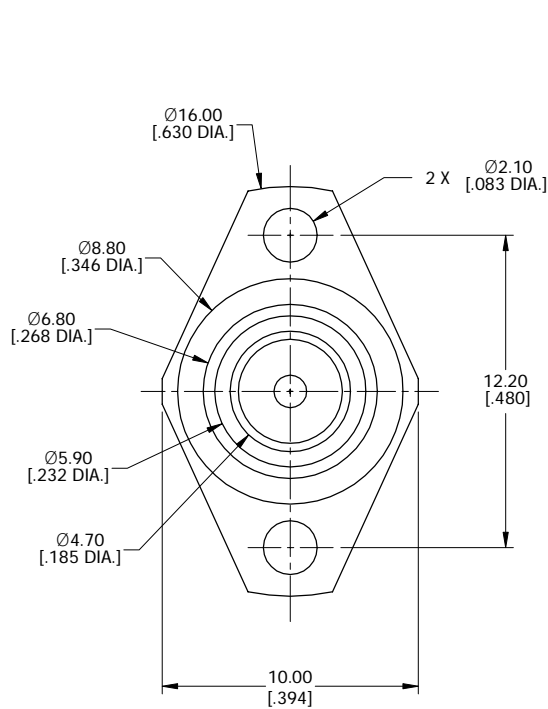
- 1 IMPEDANCE: 50 Ω
- 2 FREQUENCY RANGE: DC-22 GHz
- 3 VSWR: 1.25 MAX.
- 4 INSERTION LOSS: $0.07\sqrt{F(\text{GHz})}$ dB MAX.
- 5 VOLTAGE RATING: 500 V MAX.
- 6 DIELECTRIC WITHSTANDING VOLTAGE: 1000V MIN.
- 7 INSULATION RESISTANCE: 5000 MΩ MIN.
- 8 RF LEAKAGE: $-(80 - F(\text{GHz}))$ dB MAX.

MECHANICAL DATA:

- 1 CENTER CONTACT RETENTION
AXIAL FORCE - MATING END: 27 N MIN.
AXIAL FORCE - OPPOSITE END: 27 N MIN.
- 2 MATING LIFE: 1000 CYCLES MIN.

REVISIONS

REV.	DESCRIPTION	DATE	APPROVED
A	INITIAL RELEASE	09/11/23	J. Q



RECOMMENDE MOUNTING HOLE

DRAWN	X. Y	DATE	09/11/23
CHECKED	W. Y	DATE	09/11/23
APPROVED	J. Q	DATE	09/11/23

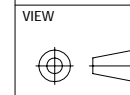
UNLESS OTHERWISE SPECIFIED DIMENSIONS ARE IN MILLIMETERS. DIMENSIONS IN [] ARE IN INCHES FOR CUSTOMER REFERENCE ONLY UNLESS OTHERWISE SPECIFIED TOLERANCE ARE:

XX	±0.13 [.005"]
X	±0.20 [.008"]
X	±0.50 [.019"]
X°	±1°
X"	±2°

THESE DRAWINGS AND SPECIFICATIONS ARE THE PROPERTY OF ANOISON ELECTRONICS LTD AND SHOULD NOT BE USED WITHOUT WRITTEN PERMISSION COPYRIGHT © 2023 ANOISON ELECTRONICS LTD



TITLE
BMA STRAIGHT MALE, 2 HOLE NARROW FLANGE SEAL MOUNT STUB TERMINAL .481 INCH HOLE SPACING WITH EMI GASKET



PART NO. ANO 1411-3028			
SIZE A3	SCALE 5:1	SHEET 1/1	REV. A