

REVISIONS			
REV.	DESCRIPTION	DATE	APPROVED
A	INITIAL RELEASE	01/10/20	J. QU

MATERIAL & FINISH:

- 1 CENTER CONTACT: BERYLLIUM COPPER, GOLD PLATED
- 2 OUTER CONTACT: STAINLESS STEEL, PASSIVSTED
- 3 INSULATOR: PTFE
- 4 O-RING: SILICONE RUBBER
- 5 EMI GASKET: CONDUCTIVE ELASTOMER

ELECTRICAL DATA:

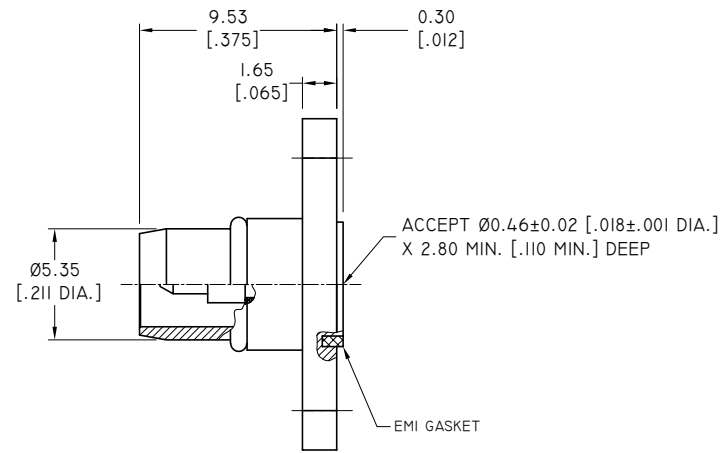
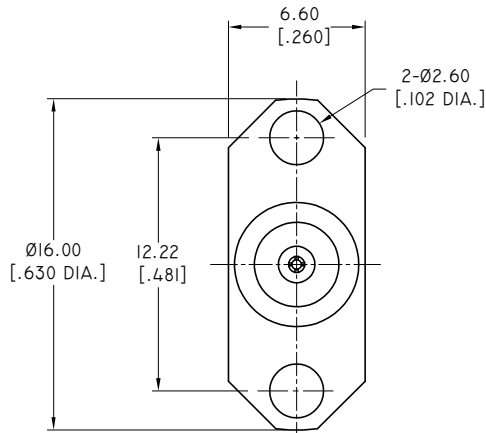
1. IMPEDANCE: 50 Ω
2. FREQUENCY RANGE: DC~18 GHZ
3. DIELECTRIC WITHSTANDING VOLTAGE: 1000 VRMS
4. INSULATION RESISTANCE: 5000 MΩ MIN.

ENVIRONMENTAL DATA:

- 1 TEMPERATURE RANGE: -55°C~+125°C
- 2 2011/65/EU(RoHS) AND 2015/863/(RoHS): COMPLIANT
- 3 1999/45/EC(REACH): COMPLIANT

MACHANICAL DATA:

1. MECHANICAL DURABILITY: 1000 CYCLES MIN.



DRAWN	W. YANG	DATE	01/10/20	
CHECKED	X. B. YANG	DATE	01/10/20	
APPROVED	J. QU	DATE	01/10/20	
UNLESS OTHERWISE SPECIFIED DIMENSIONS ARE IN MILLIMETERS, DIMENSIONS IN [] ARE IN INCHES FOR CUSTOMER REFERENCE ONLY UNLESS OTHERWISE SPECIFIED		TOLERANCE ARE:		TITLE BMA STRAIGHT PLUG SLIDE-ON CONNECTOR SOLDER ATTACHMENT, 2 HOLE FLANGE MOUNT STUB TERMINAL .481 INCH HOLE SPACING WITH EMI GASKET
.XX ±0.13 [.005"] .X ±0.20 [.008"] X ±0.50 [.019"] .X° ±1° X° ±2°		THESE DRAWINGS AND SPECIFICATIONS ARE THE PROPERTY OF ANOISON ELECTRONICS LTD AND SHOULD NOT BE USED WITHOUT WRITTEN PERMISSION COPYRIGHT © 2020 ANOISON ELECTRONICS LTD		VIEW
PART NO. ANO I411-3012				SCALE 4:1
SIZE A3		SHEET 1/1		REV. A