

4 3 2 1

REVISIONS			
REV.	DESCRIPTION	DATE	APPROVED
A	INITIAL RELEASE	09/26/24	J. Q
B	CHANGED ELECTRICAL DATA	11/18/24	J. Q

MATERIAL & FINISH:

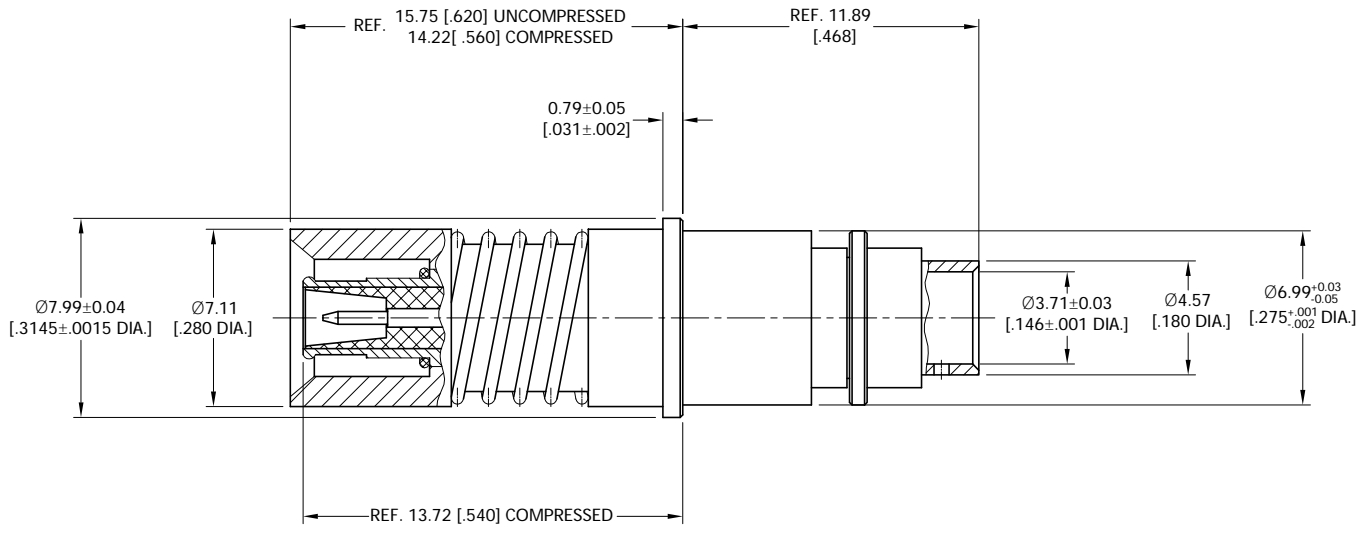
- 1 BODY: STAINLESS STEEL, PASSIVATED
- 2 SLEEVE STAINLESS STEEL, PASSIVATED
- 3 CENTER CONTACT: BERYLLIUM COPPER ALLOY, GOLD PLATED
- 4 LOCK RING: BERYLLIUM COPPER ALLOY, NICKEL PLATED
- 5 FERRULE: BRASS, GOLD PLATED
- 6 INSULATOR: PTFE
- 7 SPRING: STAINLESS STEEL, PASSIVATED
- 8 GASKET: SILICONE RUBBER

ELECTRICAL DATA:


- 1 IMPEDANCE: 50 Ω
- 2 FREQUENCY RANGE: DC-18 GHz
- 3 VSWR: 1.20 MAX. MATED PAIR AT DC-6 GHz
1.45 MAX. MATED PAIR AT 6-18 GHz
- 4 INSERTION LOSS: .06 X √F (GHZ)
- 5 DWV: 1000 VRMS

ENVIRONMENTAL DATA:

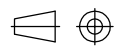
- 1 TEMPERATURE RANGE: -55 °C -- +125 °C
- 2 2011/65/EU(RoHS) AND 2015/863/(RoHS): COMPLIANT
- 3 1999/2006/EC(REACH): COMPLIANT



DRAWN	P. C	DATE	11/18/24
CHECKED	W. Y	DATE	11/18/24
APPROVED	J. Q	DATE	11/18/24
UNLESS OTHERWISE SPECIFIED DIMENSIONS ARE IN MILLIMETERS, DIMENSIONS IN [] ARE IN INCHES FOR CUSTOMER REFERENCE ONLY UNLESS OTHERWISE SPECIFIED TOLERANCE ARE:		THESE DRAWINGS AND SPECIFICATIONS ARE THE PROPERTY OF ANOISON ELECTRONICS LTD AND SHOULD NOT BE USED WITHOUT WRITTEN PERMISSION COPYRIGHT © 2024 ANOISON ELECTRONICS LTD	
	XX	±0.13	[.005"]
	X	±0.20	[.008"]
	X	±0.50	[.019"]
	X"	±1°	
	X"	±2°	



TITLE
BMZ STRAIGHT MALE TO .141 CABLE FOR M38999 SIZE 8 CAVITY, DC-18GHz

VIEW 

PART NO.
ANO 1411-2045

SIZE A3	SCALE 5:1	SHEET 1/1	REV. B
-------------------	---------------------	---------------------	------------------

4 3 2 1