

4

3

2

1

MATERIAL & FINISH:

- 1 BODY: STAINLESS STEEL, PASSIVATED
- 2 CENTER CONTACT: BERYLLIUM COPPER ALLOY, GOLD PLATED
- 3 INSULATOR: PTFE
- 4 OTHER BODY PART: PHOSPHOR BRONZE, GOLD PLATED

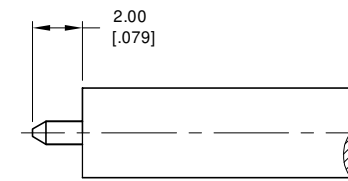
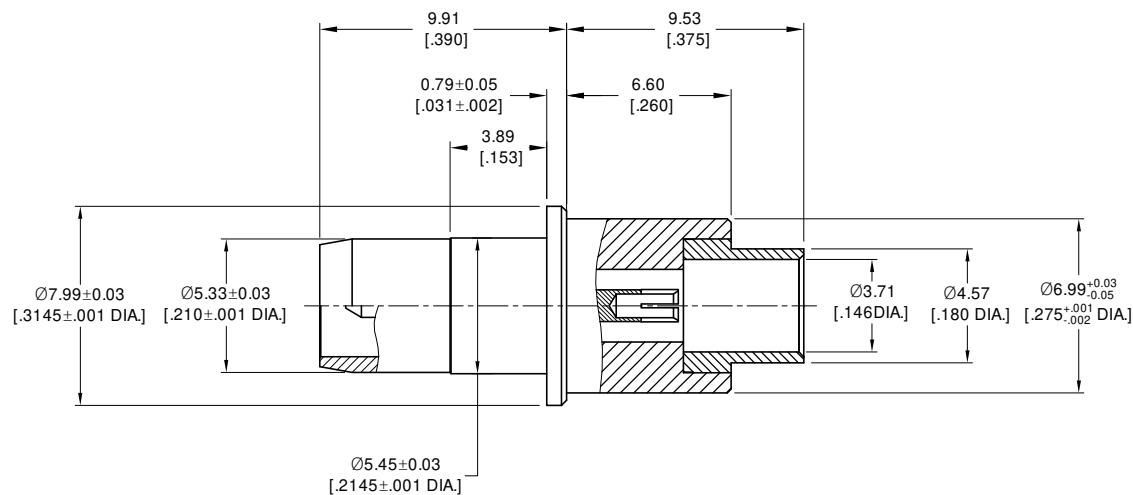
ELECTRICAL DATA:

- 1 IMPEDANCE: 50 Ω
- 2 FREQUENCY RANGE: DC~18 GHz
- 3 VSWR: ≤1.30

ENVIRONMENTAL DATA:

- 1 TEMPERATURE RANGE: -55 °C~+125 °C
- 2 2011/65/EU(RoHS) AND 2015/863/(RoHS): COMPLIANT
- 3 1999/2006/EC(REACH): COMPLIANT

REVISIONS			
REV.	DESCRIPTION	DATE	APPROVED
A	INITIAL RELEASE	08/05/24	J Q
B	CHANGED DRAWINGS	08/07/24	J Q



CABLE STRIPPING DIMENSIONS

DRAWN	P. C	DATE	08/07/24			
CHECKED	W. Y	DATE	08/07/24			
APPROVED	J Q	DATE	08/07/24			
UNLESS OTHERWISE SPECIFIED DIMENSIONS ARE IN MILLIMETERS, DIMENSIONS IN [] ARE IN INCHES FOR CUSTOMER REFERENCE ONLY UNLESS OTHERWISE SPECIFIED TOLERANCE ARE:		THESE DRAWINGS AND SPECIFICATIONS ARE THE PROPERTY OF ANOISON ELECTRONICS LTD AND SHOULD NOT BE USED WITHOUT WRITTEN PERMISSION COPYRIGHT © 2024 ANOISON ELECTRONICS LTD				
	XX	±0.13 [0.005"]				
	X	±0.20 [0.008"]				
	X	±0.50 [0.019"]				
	X'	±1°				
	X'	±2°				
TITLE		BMA STRAIGHT PLUG (MALE PIN) SOLDER FOR .141 CABLE FITS TO D38999 SIZE 8				
VIEW		PART NO. ANO 1411-2041				
SIZE		A3	SCALE	5:1	SHEET	1/1
				REV.	B	

4

3

2

1