

MATERIAL & FINISH:

- 1 BODY: STAINLESS STEEL, PASSIVATED
- 2 SLEEVE: STAINLESS STEEL, PASSIVATED
- 3 CENTER CONTACT: BERYLLIUM COPPER ALLOY, GOLD PLATED
- 4 LOCK RING: BERYLLIUM COPPER ALLOY, NICKEL PLATED
- 5 FERRULE: BRASS, GOLD PLATED
- 6 INSULATOR: PTFE
- 7 SPRING: STAINLESS STEEL, PASSIVATED
- 8 GASKET: SILICONE RUBBER

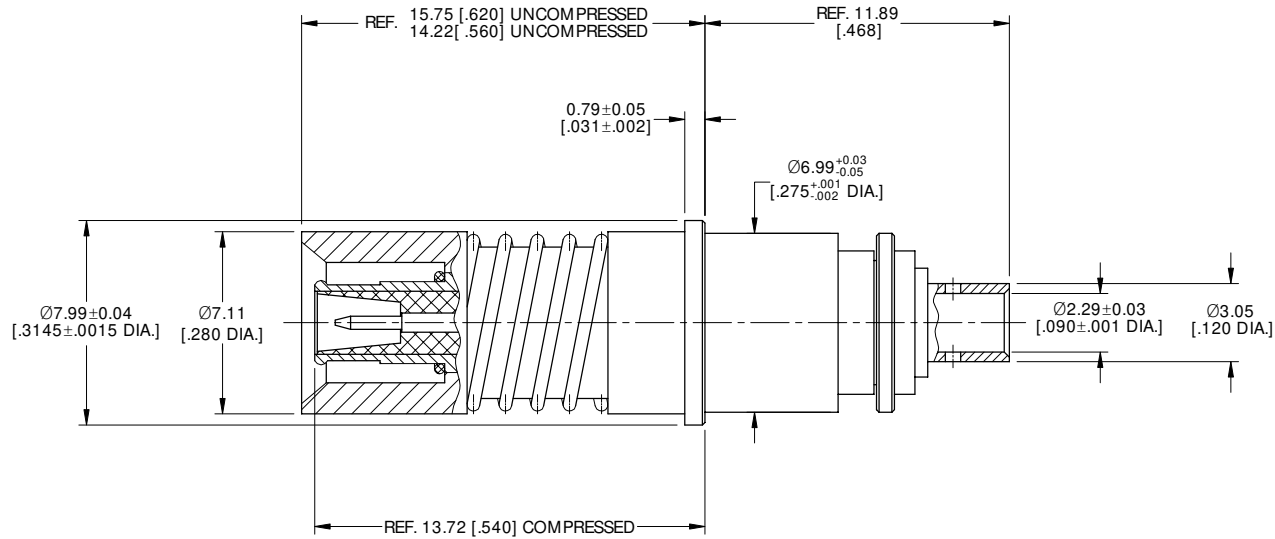
ELECTRICAL DATA:

- 1 IMPEDANCE: 50 Ω
- 2 FREQUENCY RANGE: DC~18 GHz
- 3 VSWR: 1.25 MAX. MATED PAIR
- 4 INSERTION LOSS: .06 X √F (GHZ)
- 5 DWV: 1000 VRMS

ENVIRONMENTAL DATA:

- 1 TEMPERATURE RANGE: -55°C~+125°C
- 2 2011/65/EU(RoHS) AND 2015/863/(RoHS): COMPLIANT
- 3 1907/2006/EC(REACH): COMPLIANT

REVISIONS			
REV.	DESCRIPTION	DATE	APPROVED
A	INITIAL RELEASE	04/19/24	J Q



DRAWN	X. Y	DATE	04/19/24
CHECKED	W. Y	DATE	04/19/24
APPROVED	J Q	DATE	04/19/24

UNLESS OTHERWISE SPECIFIED DIMENSIONS ARE IN MILLIMETERS, DIMENSIONS IN [] ARE IN INCHES FOR CUSTOMER REFERENCE ONLY UNLESS OTHERWISE SPECIFIED TOLERANCE ARE:

.XX	±0.13 [.005"]
.X	±0.20 [.008"]
X	±0.50 [.019"]
.X°	±1°
X°	±2°

THESE DRAWINGS AND SPECIFICATIONS ARE THE PROPERTY OF ANOISON ELECTRONICS LTD AND SHOULD NOT BE USED WITHOUT WRITTEN PERMISSION COPYRIGHT © 2024 ANOISON ELECTRONICS LTD



TITLE			
BMZ STRAIGHT MALE TO .086 CABLE FOR D38999 SIZE 8 CAVITY, DC-18GHz			

VIEW	PART NO.		
	ANO 1411-2033		
SIZE	SCALE	SHEET	REV.
A3	5:1	1/1	A