

4

3

2

1

MATERIAL & FINISH:

- 1 BODY : BRASS, ALBALOY PLATED
- 2 CENTER CONTACT: BERYLLIUM COPPER ALLOY, GOLD PLATED
- 3 INSULATOR: PTFE
- 4 FASTENING NUT: BRASS, GOLD PLATED
- 5 LOCK WASHER: PHOSPHOR BRONZE, GOLD PLATED
- 6 O-RING: SILICONE RUBBER

ELECTRICAL DATA:

- 1 IMPEDANCE: 50 Ω
- 2 FREQUENCY RANGE: DC~22 GHz
- 3 VSWR: 1.20 MAX.
- 4 INSERTION LOSS: .12 dB X √FGHZ

ENVIRONMENTAL DATA:

- 1 TEMPERATURE RANGE: -55°C~+125°C
- 2 2011/65/EU(RoHS) AND 2015/863/(RoHS): COMPLIANT
- 3 1907/2006/EC(REACH): COMPLIANT

REVISIONS			
REV.	DESCRIPTION	DATE	APPROVED
A	INITIAL RELEASE	01/10/25	J. Q

D

D

C

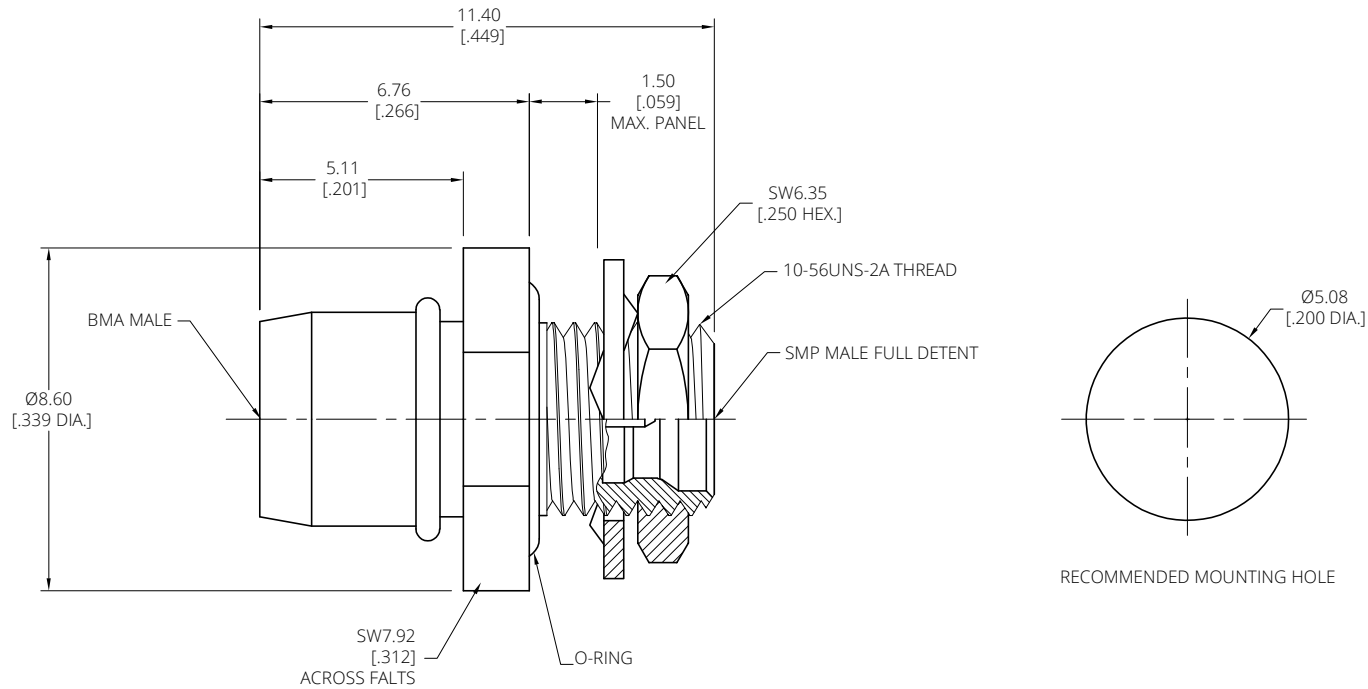
C

B

B

A

A



DRAWN	W. Y	DATE	01/10/25
CHECKED	X. Y	DATE	01/10/25
APPROVED	J. Q	DATE	01/10/25
UNLESS OTHERWISE SPECIFIED DIMENSIONS ARE IN MILLIMETERS, DIMENSIONS IN [] ARE IN INCHES FOR CUSTOMER REFERENCE ONLY UNLESS OTHERWISE SPECIFIED TOLERANCE ARE:		THESE DRAWINGS AND SPECIFICATIONS ARE THE PROPERTY OF ANOISON ELECTRONICS LTD AND SHOULD NOT BE USED WITHOUT WRITTEN PERMISSION COPYRIGHT © 2025 ANOISON ELECTRONICS LTD	
XX	±0.13 [005"]		
X	±0.20 [008"]		
X	±0.50 [019"]		
X°	±1°		
X°	±2°		



TITLE ADAPTER, BMA MALE TO SMP FULL DETENT BULKHAED WATERPROOF MALE			
VIEW	PART NO. ANO 141-931-1694		
SIZE A3	SCALE 8:1	SHEET 1/1	REV. A

4

3

2

1