

4

3

2

1

MATERIAL & FINISH:

- 1 BODY: STAINLESS STEEL, PASSIVATED
- 2 CENTER CONTACT: BERYLLIUM COPPER ALLOY, GOLD PLATED
- 3 INSULATOR: PTFE
- 4 O-RING: SILICONE RUBBER

ENVIRONMENTAL DATA:

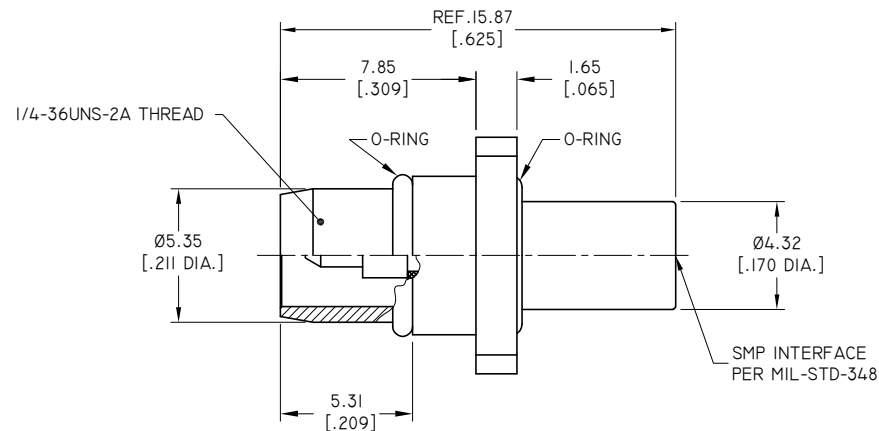
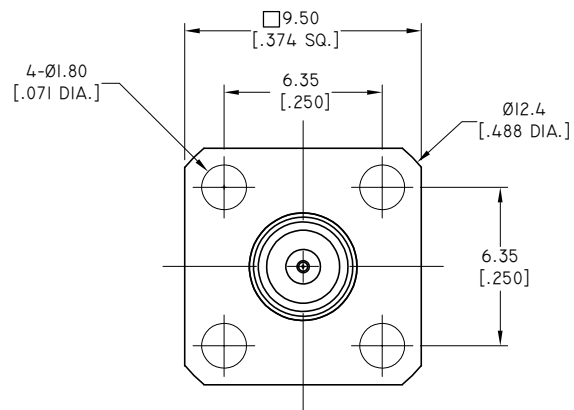
- 1 TEMPERATURE RANGE: -65°C~+165°C
- 2 2011/65/EU (RoHS): COMPLIANT

ELECTRICAL DATA:

- 1 IMPEDANCE: 50 Ω
- 2 FREQUENCY RANGE: DC~18 GHZ
- 3 VSWR: 1.30 MAX.
- 4 INSERTION LOSS: 0.05x√F(GHZ) DB MAX.
- 5 DIELECTRIC WITHSTANDING VOLTAGE: 500 VEFF MIN.
- 6 INSULATION RESISTANCE: 5000 MΩ MIN.

REVISIONS

REV.	DESCRIPTION	DATE	APPROVED
A	INITIAL RELEASE	02/18/22	J. QU

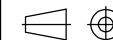


P/N	TYPE
ANO 141-931-I587-1	FULL DETENT
ANO 141-931-I587-2	LIMITED DETENT
ANO 141-931-I587-3	SMOOTH BORE

DRAWN	W. YANG	DATE	02/18/22
CHECKED	X. B. YANG	DATE	02/18/22
APPROVED	J. QU	DATE	02/18/22
UNLESS OTHERWISE SPECIFIED DIMENSIONS ARE IN MILLIMETERS, DIMENSIONS IN [] ARE IN INCHES FOR CUSTOMER REFERENCE ONLY UNLESS OTHERWISE SPECIFIED TOLERANCE ARE:		THESE DRAWINGS AND SPECIFICATIONS ARE THE PROPERTY OF ANOISON ELECTRONICS LTD AND SHOULD NOT BE USED WITHOUT WRITTEN PERMISSION COPYRIGHT © 2022 ANOISON ELECTRONICS LTD	
.XX	±0.13 [0.005"]		
.X	±0.20 [0.008"]		
X°	±0.50 [0.019"]		
X°	±1°		
X°	±2°		

TITLE
ADAPTER, BMA MALE 4 HOLE FLANGE MOUNT TO SMP MALE

VIEW



PART NO.

ANO 141-931-I587

SIZE
A3SCALE
5:1SHEET
1/1REV.
A

4

3

2

1