

**MATERIAL & FINISH:**

1. BODY: BRASS, GOLD PLATED
2. CENTER CONTACT: BERYLLIUM COPPER ALLOY, GOLD PLATED
3. INSULATOR: PTFE

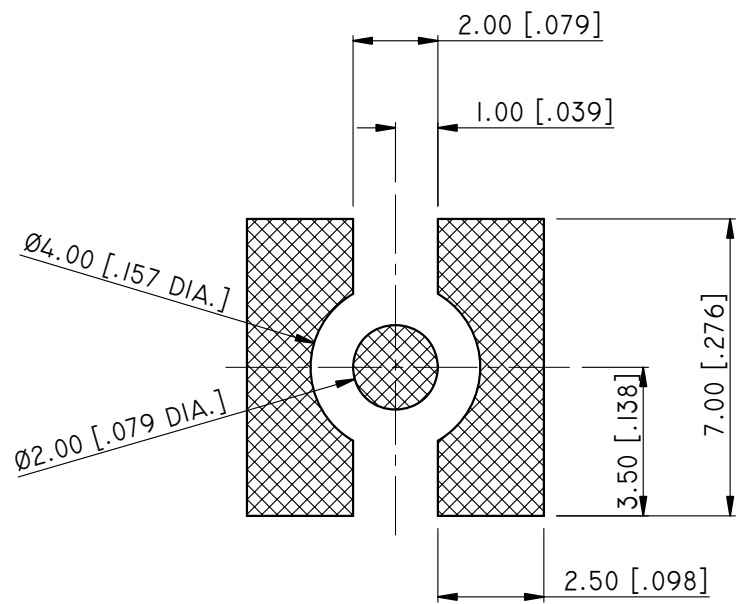
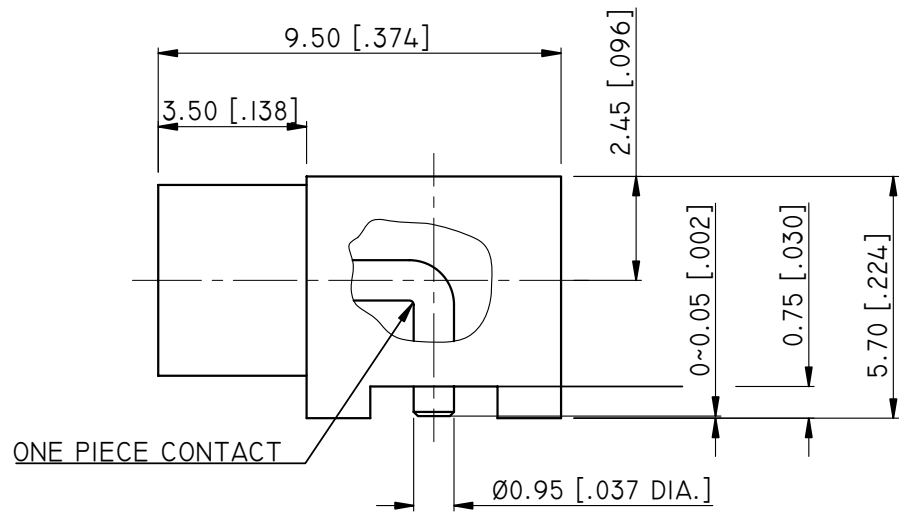
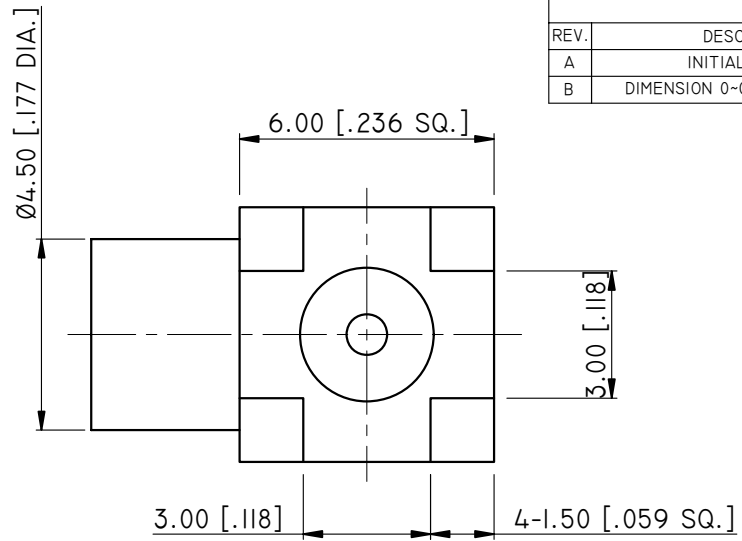
**ENVIRONMENTAL DATA:**

1. TEMPERATURE RANGE: -55°C~+125°C
2. 2011/65/EC (RoHS): COMPLIANT

**ELECTRICAL DATA:**


1. IMPEDANCE: 50 Ω
2. FREQUENCY RANGE: DC~6 GHz

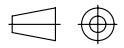
REVISIONS			
REV.	DESCRIPTION	DATE	APPROVED
A	INITIAL RELEASE	09/01/10	J. QU
B	DIMENSION 0~0.05 [0~.002] ADDED	11/18/14	J. QU



RECOMMENDED SOLDERING PADS

DRAWN	X. B. YANG	DATE	11/18/14
CHECKED	L. YANG	DATE	11/18/14
APPROVED	J. QU	DATE	11/18/14
UNLESS OTHERWISE SPECIFIED DIMENSIONS ARE IN MILLIMETERS, DIMENSIONS IN [ ] ARE IN INCHES FOR CUSTOMER REFERENCE ONLY UNLESS OTHERWISE SPECIFIED TOLERANCE ARE:		THESE DRAWINGS AND SPECIFICATIONS ARE THE PROPERTY OF ANOISON ELECTRONICS LTD AND SHOULD NOT BE USED WITHOUT WRITTEN PERMISSION COPYRIGHT © 2014 ANOISON ELECTRONICS LTD	
.XX	±0.13 [.005"]		
.X	±0.20 [.008"]		
X	±0.50 [.019"]		
.X°	±1°		
X°	±2°		



TITLE			
MCX RIGHT ANGLE FEMALE RECEPTACLE SURFACE MOUNT			
VIEW		PART NO.	
		ANO 1322-4011	
SIZE	SCALE	SHEET	REV.
A3	8:1	1/1	B