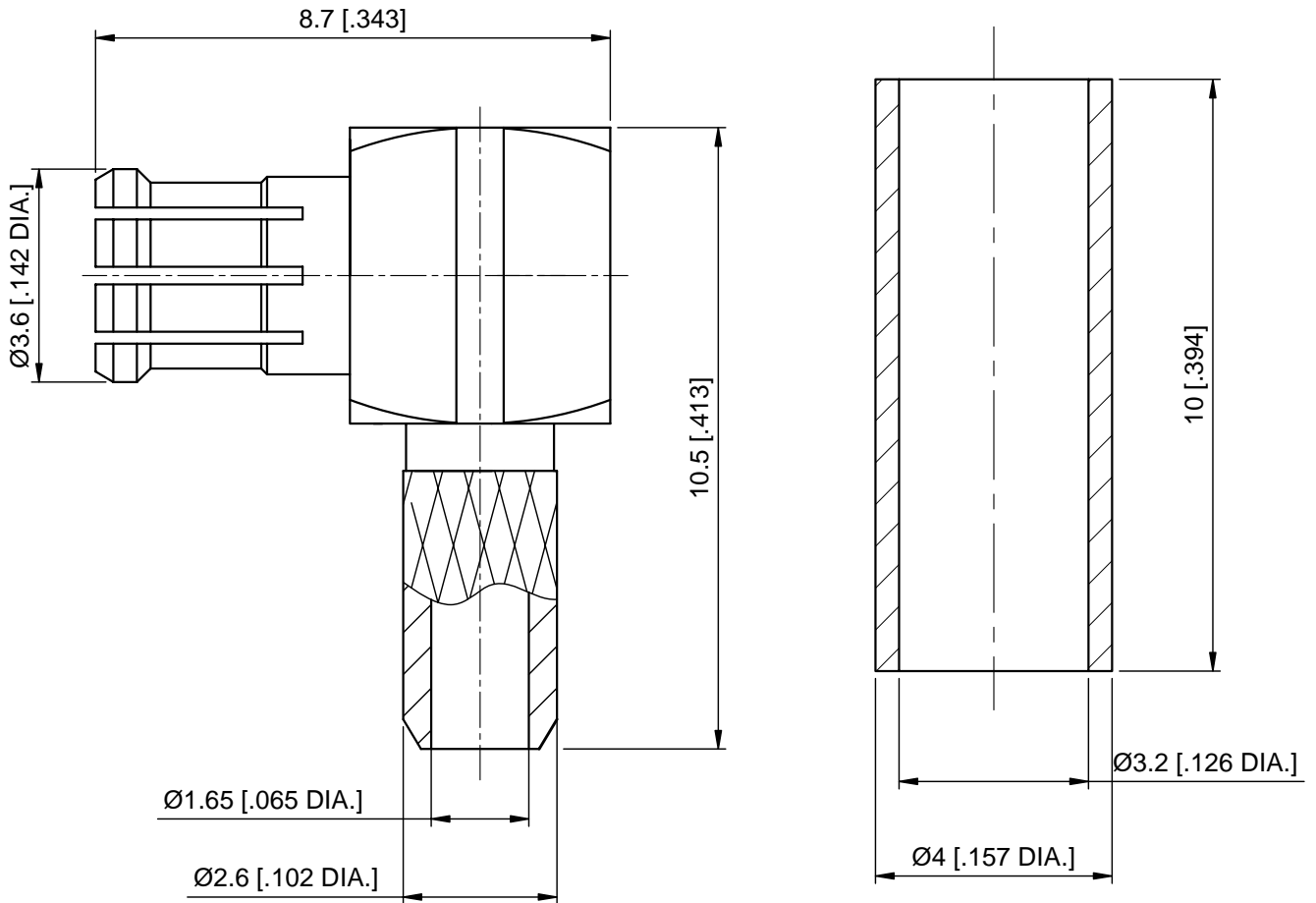
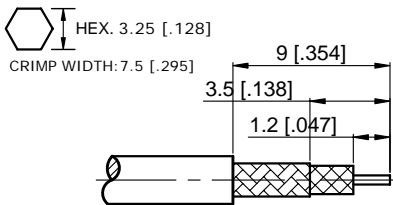


DESCRIPTION	MATERIAL	FINISH
Center Contact	Brass	Gold
Outer Contact	Beryllium Copper Alloy	Gold
Body	Brass	Gold
Crimp Ferrule	Copper	Nickel
Insulator	PTFE	



HEX. CRIMP TOOL



CABLE STRIPPING DIMENSIONS

NOTES:

1. ALL SPECIFICATIONS ARE SUBJECT TO CHANGE WITHOUT NOTICE AT ANY TIME
2. CUSTOMER OUTLINE DRAWING FOR REFERENCE ONLY

Drawn:	L. Yang 08/10/12
Checked:	X. B. Yang 08/10/12
Approved:	J. Qu 08/10/12

Title:

MCX Right Angle Male Crimp for LMR100/RG316/RG174 Cable



Unless otherwise specified dimensions are in millimeters, dimensions in [ ] are in inches for customer reference only.

Unless Otherwise Specified tolerance are:

- .XX ±0.13 [0.005"]
- .X ±0.20 [0.008"]
- X ±0.50 [0.019"]
- .X° ±1°
- X° ±2°

View:



Part No:

ANO 1321-2001

Size:	Scale:	Sheet:	Rev:
A4	8:1	1/1	A