

**MATERIAL & FINISH:**

1. BODY: BRASS, GOLD PLATED
2. CENTER CONTACT: BERYLLIUM COPPER ALLOY, GOLD PLATED
3. OUTER CONTACT: BERYLLIUM COPPER ALLOY, GOLD PLATED
4. INSULATOR: PTFE

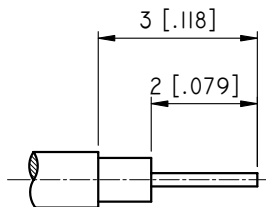
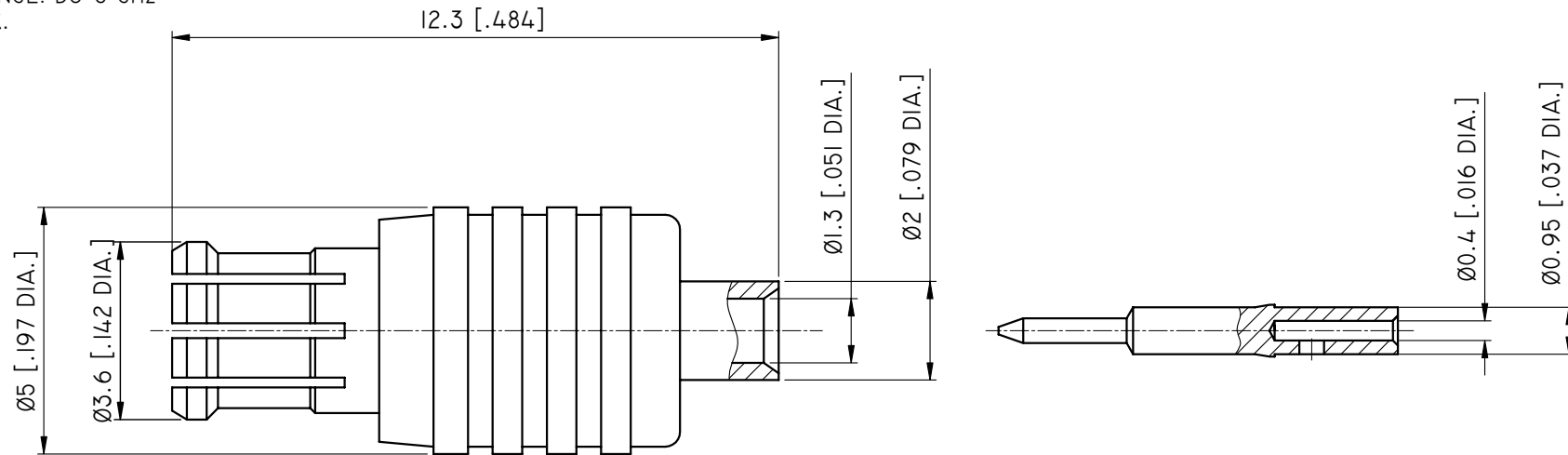
**ENVIRONMENTAL DATA:**

1. TEMPERATURE RANGE: -55°C~+125°C
2. 2002/95/EC (RoHS): COMPLIANT

**ELECTRICAL SPECIFICATIONS:**

1. IMPEDANCE: 50 Ω
2. FREQUENCY RANGE: DC~6 GHz
3. VSWR: 1.30 MAX.

| REVISIONS |                 |          |          |
|-----------|-----------------|----------|----------|
| REV.      | DESCRIPTION     | DATE     | APPROVED |
| A         | INITIAL RELEASE | 05/10/14 | J. QU    |
|           |                 |          |          |



CABLE STRIPPING DIMENSIONS

|  |                  |   |           |
|--|------------------|---|-----------|
| DRAWN<br>L. YANG   | DATE<br>05/10/14 |   |           |
| CHECKED<br>X. B. YANG  | DATE<br>05/10/14 |   |           |
| APPROVED<br>J. QU  | DATE<br>05/10/14 |   |           |
| <small>UNLESS OTHERWISE SPECIFIED DIMENSIONS ARE IN MILLINETERS, DIMENSIONS IN [ ] ARE IN INCHES FOR CUSTOMER REFERENCE ONLY UNLESS OTHERWISE SPECIFIED TOLERANCE ARE:</small> |                  | <small>THESE DRAWINGS AND SPECIFICATIONS ARE THE PROPERTY OF ANOISON ELECTRONICS LTD AND SHOULD NOT BE USED WITHOUT WRITTEN PERMISSION COPYRIGHT © 2013 ANOISON</small> |           |
| <small>.XX ±0.13 [.005"]<br/>.X ±0.20 [.008"]<br/>X ±0.50 [.019"]<br/>.X° ±1°<br/>X° ±2°</small>   |                  | TITLE<br><b>MCX STRAIGHT MALE SOLDER FOR .047 CABLE</b>   |           |
| VIEW<br>   |                  | PART NO.<br><b>ANO 1311-2033</b>  |           |
| SIZE<br>A3   | SCALE<br>10:1    | SHEET<br>1/1  | REV.<br>A |