

4

3

2

1

MATERIAL & FINISH:

- 1 BODY: STAINLESS STEEL, PASSIVATED
- 2 CENTER CONTACT: BERYLLIUM COPPER ALLOY, GOLD PLATED
- 3 OUTER CONTACT: BERYLLIUM COPPER ALLOY, GOLD PLATED
- 4 OTHER BODY PART: BRASS, GOLD PLATED
- 5 INSULATOR: PTFE
- 6 SPRING: STAINLESS STEEL, PASSIVATED
- 7 RING: BERYLLIUM COPPER ALLOY, GOLD PLATED

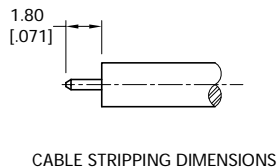
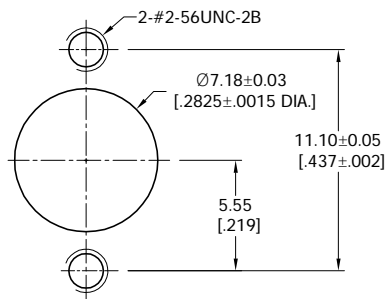
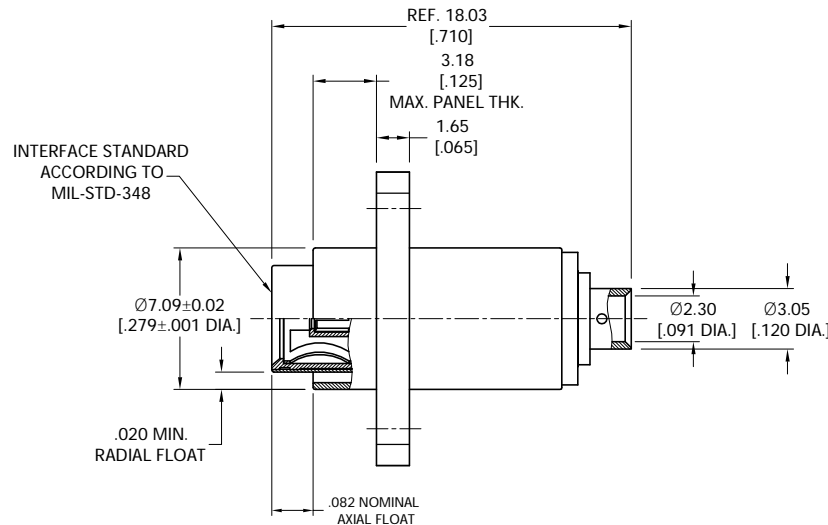
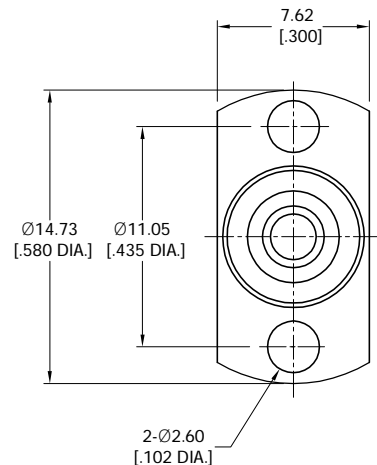
ELECTRICAL DATA:

- 1 IMPEDANCE: 50 Ω
- 2 FREQUENCY RANGE: DC-38 GHz
- 3 VSWR: 1.35 @ DC-18 GHz
- 4 WORKING VOLTAGE: 250 VRMS
- 5 TEST VOLTAGE: 750 VRMS
- 6 INSULATION RESISTANCE: 10,000 MΩ MAX. VRMS

ENVIRONMENTAL DATA:

- 1 TEMPERATURE RANGE: -55°C ~ +125°C
- 2 2011/65/EU(RoHS) AND 2015/863/(RoHS): COMPLIANT
- 3 1999/2006/EC(REACH): COMPLIANT

REVISIONS			
REV.	DESCRIPTION	DATE	APPROVED
A	INITIAL RELEASE	10/22/24	J. Q



RECOMMENDED MOUNTING HOLE

CABLE STRIPPING DIMENSIONS

DRAWN	P. C	DATE	10/22/24
CHECKED	W. Y	DATE	10/22/24
APPROVED	J. Q	DATE	10/22/24
UNLESS OTHERWISE SPECIFIED DIMENSIONS ARE IN MILLIMETERS, DIMENSIONS IN [] ARE IN INCHES FOR CUSTOMER REFERENCE ONLY UNLESS OTHERWISE SPECIFIED TOLERANCE ARE:		THESE DRAWINGS AND SPECIFICATIONS ARE THE PROPERTY OF ANOISON ELECTRONICS LTD AND SHOULD NOT BE USED WITHOUT WRITTEN PERMISSION COPYRIGHT © 2024 ANOISON ELECTRONICS LTD	
XX	±0.13 [005"]		
X	±0.20 [008"]		
X	±0.50 [019"]		
X"	±1"		
X"	±2"		



TITLE
BMMA STRAIGHT JACK (FEMALE SOCKET) 2-HOLE FLOATING MOUNT SOLDER FOR .086 CABLE

VIEW	PART NO. ANO 1212-3005			
	SIZE A3	SCALE 4:1	SHEET 1/1	REV. A

4

3

2

1