

4 3 2 1

REVISIONS			
REV.	DESCRIPTION	DATE	APPROVED
A	INITIAL RELEASE	08/26/24	J Q

MATERIAL & FINISH:

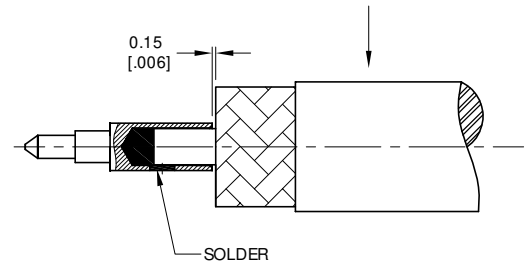
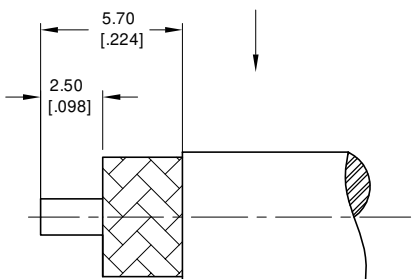
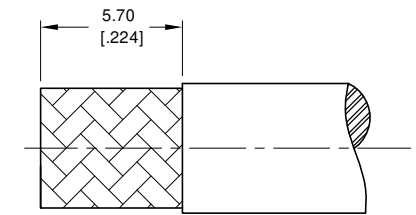
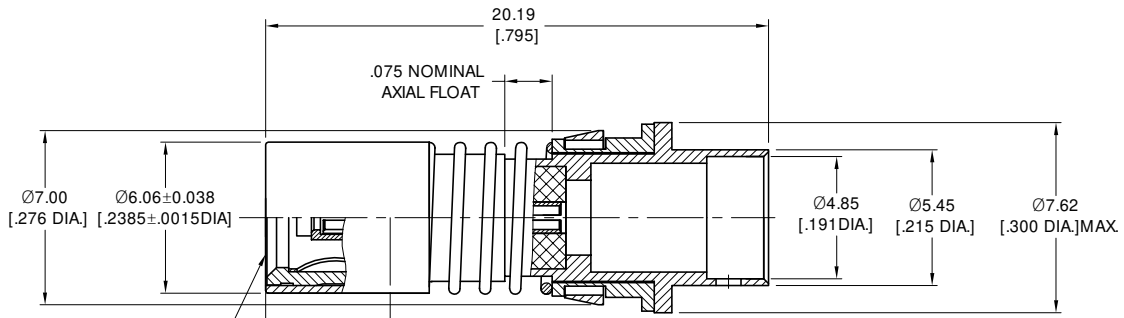
- 1 BODY: STAINLESS STEEL, PASSIVATED
- 2 CENTER CONTACT: BERYLLIUM COPPER ALLOY, GOLD PLATED
- 3 OUTER CONTACT: BERYLLIUM COPPER ALLOY, GOLD PLATED
- 4 OTHER BODY PART: BRASS, GOLD PLATED
- 5 INSULATOR: PTFE
- 6 SPRING: STAINLESS STEEL, PASSIVATED
- 7 RING: BERYLLIUM COPPER ALLOY, GOLD PLATED

ELECTRICAL DATA:

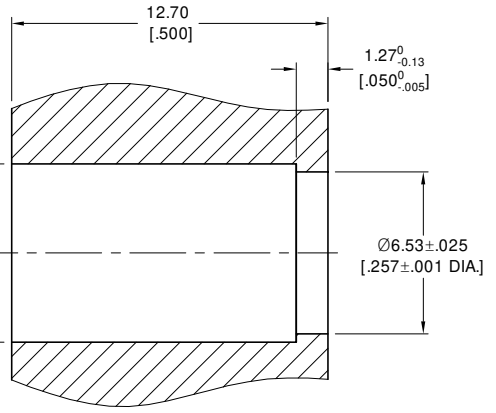
- 1 IMPEDANCE: 50 Ω
- 2 FREQUENCY RANGE: DC~28 GHz
- 3 VSWR: 1.05+0.10* F(GHz)
- 4 INSERTION LOSS: 0.15 dB MAX.
- 5 WORKING VOLTAGE: 335 VRMS
- 6 TEST VOLTAGE: 675 VRMS
- 7 INSULATION RESISTANCE: 5,000 M Ω

ENVIRONMENTAL DATA:

- 1 TEMPERATURE RANGE: -55 °C~+125 °C
- 2 2011/65/EU(RoHS) AND 2015/863/(RoHS): COMPLIANT
- 3 1999/2006/EC(REACH): COMPLIANT



CABLE STRIPPING DIMENSIONS



RECOMMENDED MOUNTING HOLE

DRAWN	P. C	DATE	08/26/24
CHECKED	W. Y	DATE	08/26/24
APPROVED	J Q	DATE	08/26/24
UNLESS OTHERWISE SPECIFIED DIMENSIONS ARE IN MILLIMETERS, DIMENSIONS IN [] ARE IN INCHES FOR CUSTOMER REFERENCE ONLY UNLESS OTHERWISE SPECIFIED TOLERANCE ARE:		THESE DRAWINGS AND SPECIFICATIONS ARE THE PROPERTY OF ANOISON ELECTRONICS LTD AND SHOULD NOT BE USED WITHOUT WRITTEN PERMISSION COPYRIGHT © 2024 ANOISON ELECTRONICS LTD	
	XX	±0.13	[.005"]
	X	±0.20	[.008"]
	X	±0.50	[.019"]
	X"	±1"	
	X"	±2"	



TITLE			
BMA STRAIGHT JACK (FEMALE SOCKET) SOLDER FOR PLEX210/IW1801			
VIEW		PART NO.	
		ANO 1212-2002	
SIZE	SCALE	SHEET	REV.
A3	5:1	1/1	A

4 3 2 1