

4

3

2

1

MATERIAL & FINISH

- 1 BODY: BRASS, NICKEL PLATED
- 2 CENTER CONTACT: PHOSPHOR BRONZE, NICKEL PLATED
- 3 INSULATOR: PTFE
- 4 SPRING LATCH: BERYLLIUM COPPER ALLOY, GOLD PLATED
- 5 CAP: BRASS, NICKEL PLATED
- 6 CRIMP FERRULE: COPPER, NICKEL PLATED

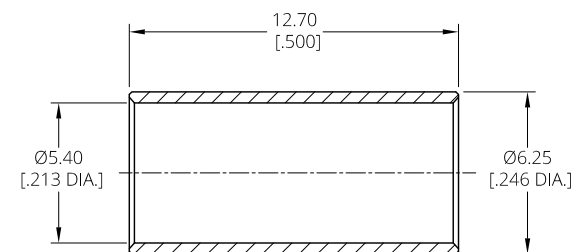
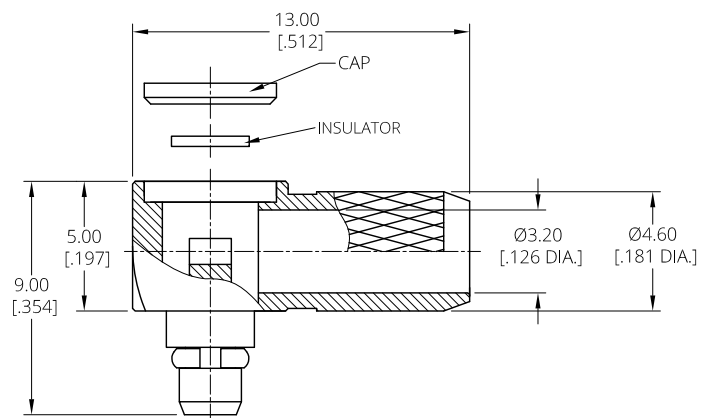
ELECTRICAL DATA:

1. IMPEDANCE: 50 Ω
2. FREQUENCY RANGE: DC~6 GHz

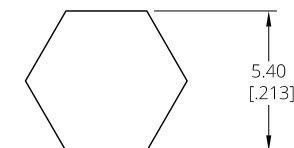
ENVIRONMENTAL DATA:

1. TEMPERATURE RANGE: -55°C~+125°C
2. 2011/65/EU (RoHS): COMPLIANT
3. 1999/2006/EC(REACH): COMPLIANT

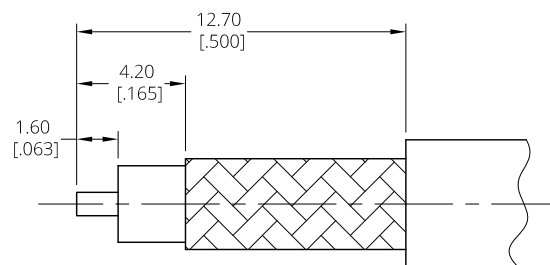
REVISIONS			
REV.	DESCRIPTION	DATE	APPROVED
A	INITIAL RELEASE	03/19/26	J. Q




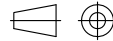
HEX. CRIMP TOOL



CRIMP WIDTH: 10.0 [0.394]



CABLE STRIPPING DIMENSIONS

DRAWN	P.C	DATE	03/19/26				
CHECKED	W. Y	DATE	03/19/26				
APPROVED	J. Q	DATE	03/19/26				
UNLESS OTHERWISE SPECIFIED DIMENSIONS ARE IN MILLIMETERS, DIMENSIONS IN [] ARE IN INCHES FOR CUSTOMER REFERENCE ONLY UNLESS OTHERWISE SPECIFIED TOLERANCE ARE:		THESE DRAWINGS AND SPECIFICATIONS ARE THE PROPERTY OF ANOISON GROUP. THEY SHALL NOT BE REPRODUCED OR USED WITHOUT WRITTEN PERMISSION. © 2026 ANOISON GROUP. ALL RIGHTS RESERVED.		TITLE			
				MMCX RIGHT ANGLE PLUG CRIMP FOR RG58/LMR195 CABLE			
				VIEW		PART NO.	
						ANO 1121-2049	
				SIZE	SCALE	SHEET	REV.
				A3	5:1	1/1	A

4

3

2

1