

MATERIAL & FINISH:

- 1 BODY: BRASS, GOLD PLATED
- 2 CENTER CONTACT: BERYLLIUM COPPER ALLOY, GOLD PLATED
- 3 INSULATOR: PTFE

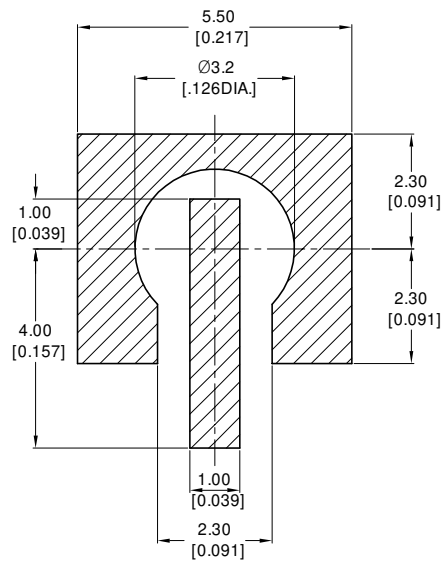
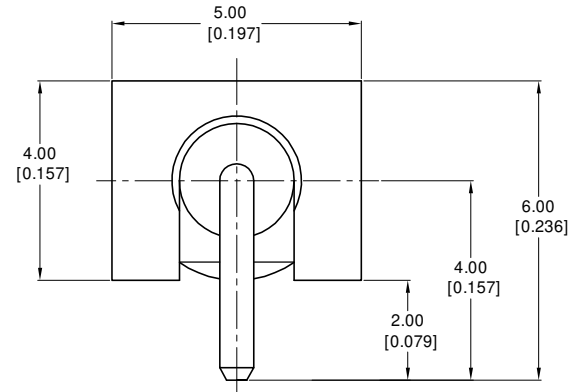
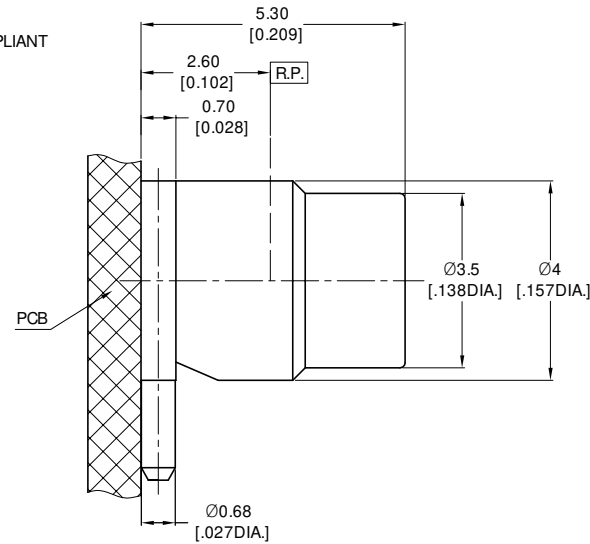
ENVIRONMENTAL DATA:

- 1 TEMPERATURE RANGE: -55 °C ~ +155 °C
- 2 2011/65/EU (RoHS) AND 2015/863/(RoHS): COMPLIANT
- 3 1999/2006/EC (REACH): COMPLIANT

ELECTRICAL DATA:

- 1 IMPEDANCE: 50 Ω
- 2 FREQUENCY RANGE: DC-6 GHz

REVISIONS			
REV.	DESCRIPTION	DATE	APPROVED
A	INITIAL RELEASE	06/04/10	J Q
B	DRAWING FORMAT CHANGED	08/29/17	J Q
C	DRAWING CHANGED	06/18/24	J Q



RECOMMENDED PCB LAYOUT

DRAWN	P. C	DATE	06/18/24
CHECKED	W. Y	DATE	06/18/24
APPROVED	J Q	DATE	06/18/24
UNLESS OTHERWISE SPECIFIED DIMENSIONS ARE IN MILLIMETERS, DIMENSIONS IN [] ARE IN INCHES FOR CUSTOMER REFERENCE ONLY UNLESS OTHERWISE SPECIFIED TOLERANCE ARE:		THESE DRAWINGS AND SPECIFICATIONS ARE THE PROPERTY OF ANOISON ELECTRONICS LTD AND SHOULD NOT BE USED WITHOUT WRITTEN PERMISSION COPYRIGHT © 2024 ANOISON ELECTRONICS LTD	
.XX	±0.13 [.005"]		
.X	±0.20 [.008"]		
X	±0.50 [.019"]		
.X°	±1°		
X°	±2°		



TITLE			
MMCX STRAIGHT PCB JACK (FEMALE) SURFACE MOUNT			
VIEW		PART NO.	
		ANO 1112-4018	
SIZE	SCALE	SHEET	REV.
A3	10:1	1/1	C