

4 3 2 1

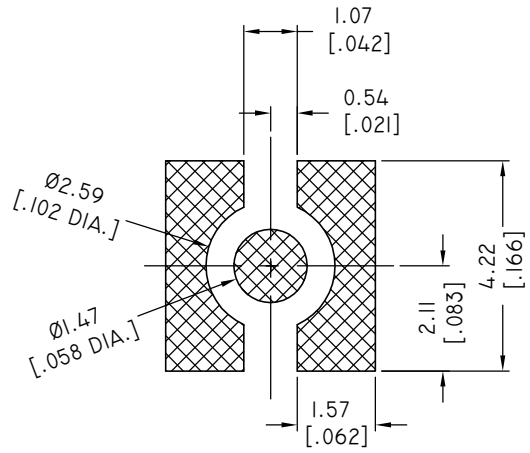
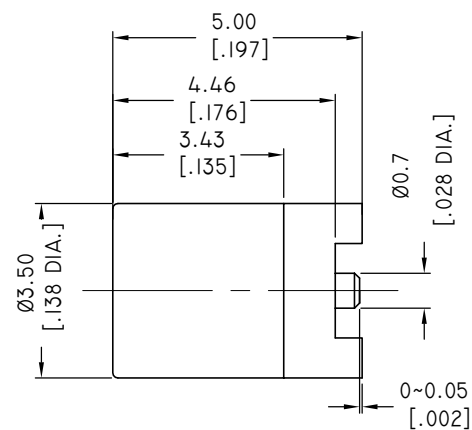
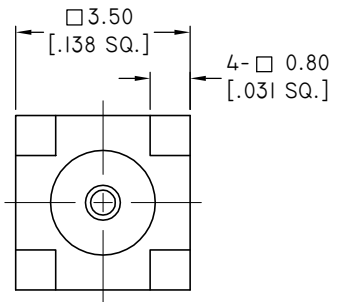
MATERIAL & FINISH:

- 1 BODY: BRASS, NICKEL PLATED
- 2 CENTER CONTACT: BERYLLIUM COPPER ALLOY, GOLD PLATED
- 3 INSULATOR: PTFE

ENVIRONMENTAL DATA:

- 1 TEMPERATURE RANGE: -55 °C~+125 °C
- 2 2011/65/EU (RoHS): COMPLIANT

REVISIONS			
REV.	DESCRIPTION	DATE	APPROVED
A	INITIAL RELEASE	09/01/10	J. QU
B	DRAWING FORMAT CHANGED	08/29/17	J. QU



RECOMMENDED SOLDERING PADS

DRAWN	W. YANG	DATE	08/29/17
CHECKED	L. YANG	DATE	08/29/17
APPROVED	J. QU	DATE	08/29/17
UNLESS OTHERWISE SPECIFIED DIMENSIONS ARE IN MILLIMETERS, DIMENSIONS IN [] ARE IN INCHES FOR CUSTOMER REFERENCE ONLY UNLESS OTHERWISE SPECIFIED TOLERANCE ARE:		THESE DRAWINGS AND SPECIFICATIONS ARE THE PROPERTY OF ANOISON ELECTRONICS LTD AND SHOULD NOT BE USED WITHOUT WRITTEN PERMISSION COPYRIGHT © 2017 ANOISON ELECTRONICS LTD	
.XX	±0.13 [.005"]		
.X	±0.20 [.008"]		
X	±0.50 [.019"]		
X°	±1°		
X°	±2°		



TITLE
MMCX STRAIGHT FEMALE RECEPTACLE,SURFACE MOUNT

VIEW	PART NO. ANO 1112-4016	SIZE A3	SCALE 10:1	SHEET 1/1	REV. B
------	---------------------------	------------	---------------	--------------	-----------

4 3 2 1