

MATERIAL & FINISH:

- 1 BODY: BRASS, GOLD PLATED
- 2 CENTER CONTACT: BERYLLIUM COPPER, GOLD PLATED
- 3 INSULATOR: PTFE

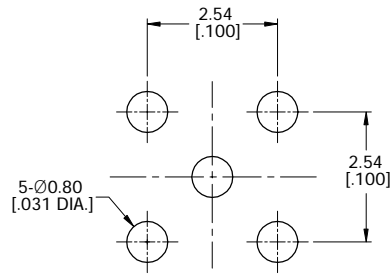
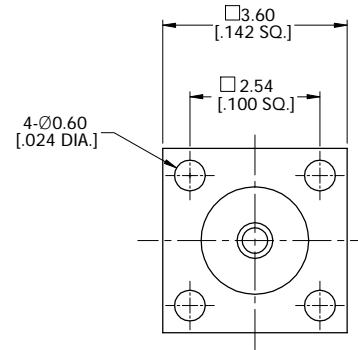
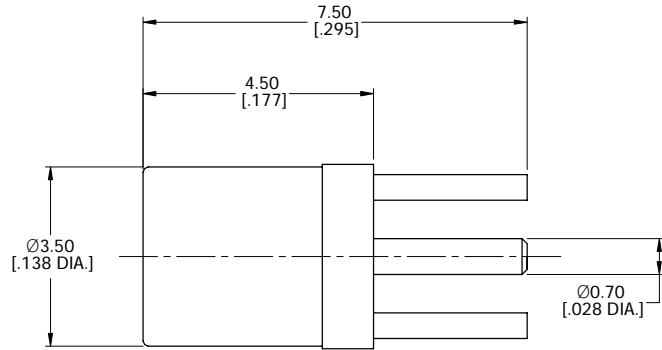
ELECTRICAL DATA:

- 1 IMPEDANCE: 50 Ω
- 2 FREQUENCY RANGE: DC-6 GHz

ENVIRONMENTAL DATA:

- 1 TEMPERATURE RANGE: -55°C~+125°C
- 2 2011/65/EU(RoHS) AND 2015/863/(RoHS): COMPLIANT
- 3 1907/2006/EC(REACH): COMPLIANT

REVISIONS			
REV.	DESCRIPTION	DATE	APPROVED
A	INITIAL RELEASE	07/18/06	J. Q
B	DRAWING FORMAT CHANGED	03/20/23	J. Q



RECOMMENDED MOUNTING HOLE

DRAWN	X. Y	DATE	03/20/23
CHECKED	W. Y	DATE	03/20/23
APPROVED	J. Q	DATE	03/20/23
UNLESS OTHERWISE SPECIFIED DIMENSIONS ARE IN MILLIMETERS, DIMENSIONS IN [] ARE IN INCHES FOR CUSTOMER REFERENCE ONLY UNLESS OTHERWISE SPECIFIED TOLERANCE ARE:		THESE DRAWINGS AND SPECIFICATIONS ARE THE PROPERTY OF ANOISON ELECTRONICS LTD AND SHOULD NOT BE USED WITHOUT WRITTEN PERMISSION COPYRIGHT © 2023 ANOISON ELECTRONICS LTD	
	XX	±0.13 [005"]	
	X	±0.20 [008"]	
	X	±0.50 [019"]	
	X°	±1°	
	X"	±2°	



TITLE			
MMCX STRAIGHT FEMALE PCB MOUNT			
VIEW		PART NO.	
		ANO 1112-4009	
SIZE	SCALE	SHEET	REV.
A3	10:1	1/1	B