

1.0 MATERIAL & FINISH

- 1.1 BODY: BRASS, GOLD PLATING
- 1.2 CENTER CONTACT: BERYLLIUM COPPER ALLOY, GOLD PLATING
- 1.3 INSULATOR: PTFE

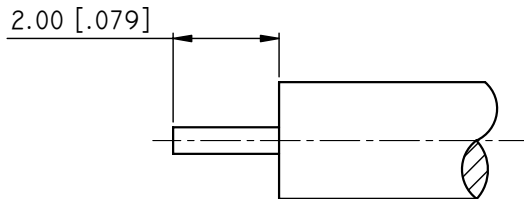
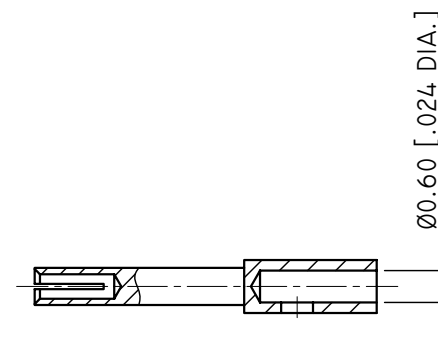
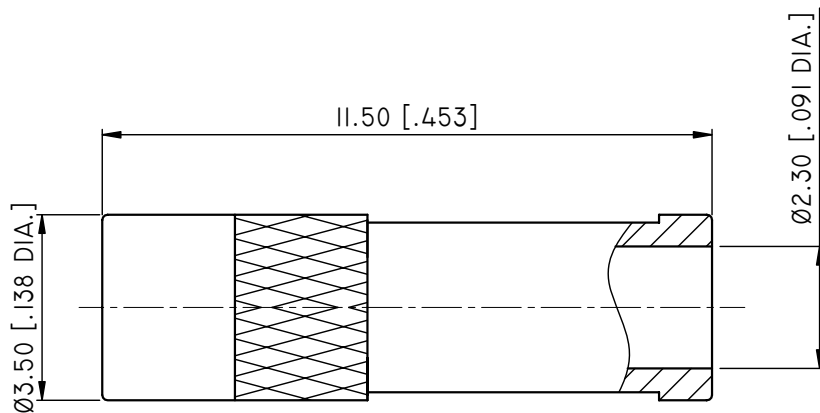
2.0 ENVIRONMENTAL DATA:

- 2.1 TEMPERATURE RANGE: -55°C~+165°C
- 2.2 2002/95/EC (RoHS): COMPLIANT

3.0 ELECTRICAL SPECIFICATIONS:

- 3.1 IMPEDANCE: 50 Ω
- 3.2 FREQUENCY RANGE: DC~6GHZ
- 3.3 VSWR: ≤1.20 AT DC~3GHZ  
≤1.35 AT 3~6GHZ

REVISIONS			
REV.	DESCRIPTION	DATE	APPROVED
A	INITIAL RELEASE	06/07/14	J. QU



CABLE STRIPPING DIMENSIONS

DRAWN	L. YANG	DATE	06/07/14								
CHECKED	X. B. YANG	DATE	06/07/14								
APPROVED	J. QU	DATE	06/07/14								
UNLESS OTHERWISE SPECIFIED DIMENSIONS ARE IN MILLIMETERS, DIMENSIONS IN [ ] ARE IN INCHES FOR CUSTOMER REFERENCE ONLY UNLESS OTHERWISE SPECIFIED TOLERANCE ARE: .XX ±0.13 [.005"] .X ±0.20 [.008"] X ±0.50 [.019"] .X° ±1° X° ±2°				THESE DRAWINGS AND SPECIFICATIONS ARE THE PROPERTY OF ANOISON ELECTRONICS LTD AND SHOULD NOT BE USED WITHOUT WRITTEN PERMISSION COPYRIGHT © 2013 ANOISON							
TITLE				MMCX STRAIGHT FEMALE SOLDER FOR .086 CABLE							
VIEW		PART NO.		SIZE		SCALE		SHEET		REV.	
		ANO 1112-2031		A3		10:1		1/1		A	