

**MATERIAL & FINISH:**

- 1 BODY & SHROUD: BRASS, GOLD PLATED
- 2 CENTER CONTACT: PHOSPHOR BRONZE, GOLD PLATED
- 3 INSULATOR: PTFE & PEEK

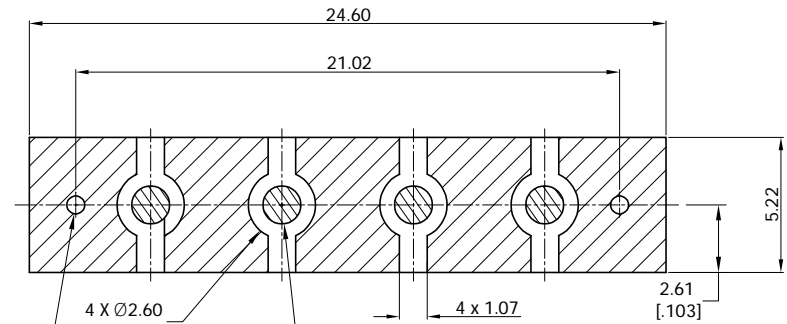
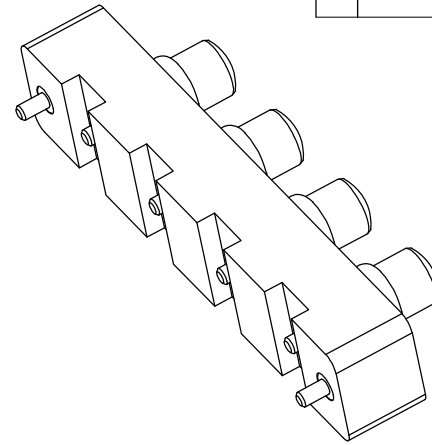
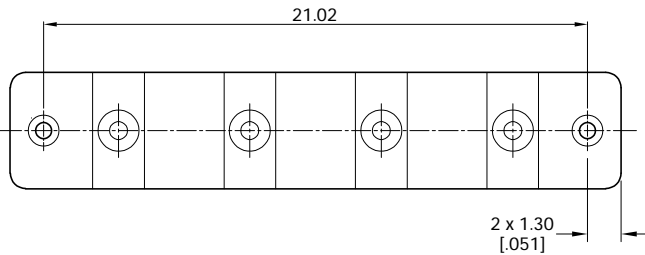
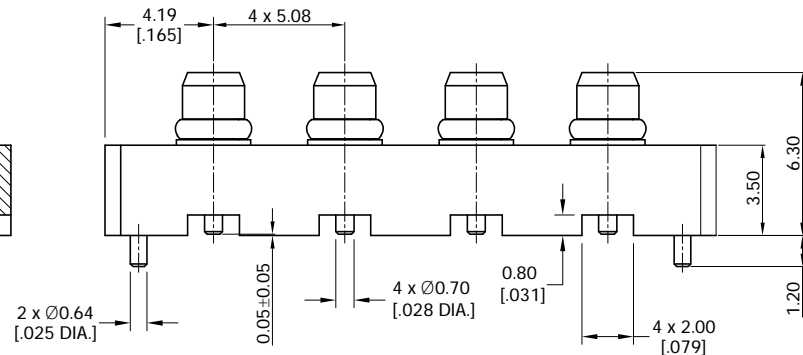
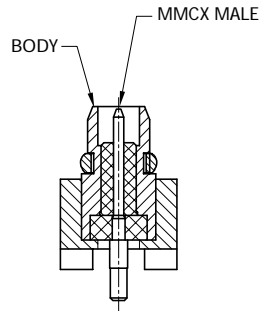
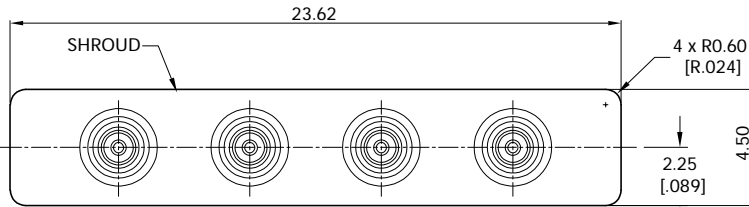
**ENVIRONMENTAL DATA:**

- 1 TEMPERATURE RANGE: -55°C~+165°C
- 2 2011/65/EU(RoHS) AND 2015/863/(RoHS): COMPLIANT
- 3 1999/45/EC(REACH): COMPLIANT

**ELECTRICAL DATA:**

- 1 IMPEDANCE: 50 Ω
- 2 FREQUENCY RANGE: DC-8.5 GHz

REVISIONS			
REV.	DESCRIPTION	DATE	APPROVED
A	INITIAL RELEASE	12/23/24	J. Q



RECOMMENDED MOUNTING HOLE PATTERN

DRAWN	X. Y	DATE	12/23/24		
CHECKED	W. Y	DATE	12/23/24		
APPROVED	J. Q	DATE	12/23/24		
UNLESS OTHERWISE SPECIFIED DIMENSIONS ARE IN MILLIMETERS. DIMENSIONS IN [ ] ARE IN INCHES FOR CUSTOMER REFERENCE ONLY UNLESS OTHERWISE SPECIFIED TOLERANCE ARE:		THESE DRAWINGS AND SPECIFICATIONS ARE THE PROPERTY OF ANOISON ELECTRONICS LTD AND SHOULD NOT BE USED WITHOUT WRITTEN PERMISSION. COPYRIGHT © 2024 ANOISON ELECTRONICS LTD		TITLE	4-PORT , MMCX MALE STRAIGHT SMT
.XX ±0.13 [Ø.005"] .X ±0.20 [Ø.008"] X ±0.50 [Ø.019"] X° ±1° X° ±2°				VIEW	
				PART NO.	ANO 1111-4047
				SIZE	A3
				SCALE	5:1
				SHEET	1/1
				REV.	A