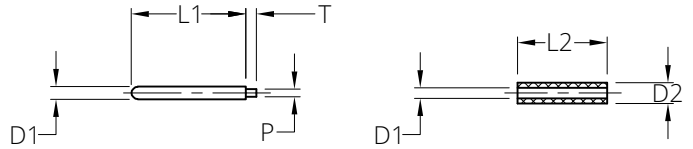
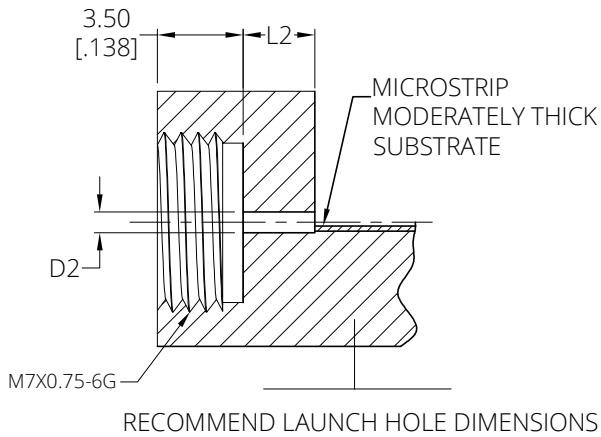
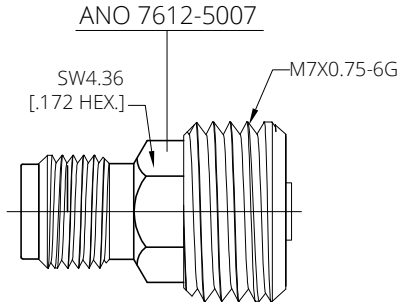


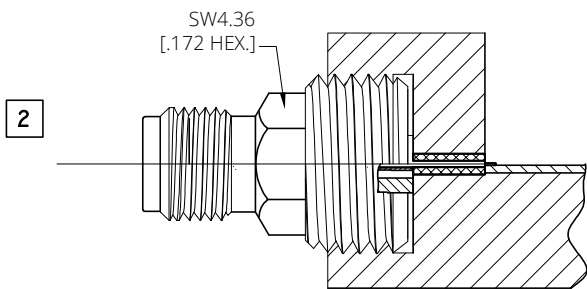
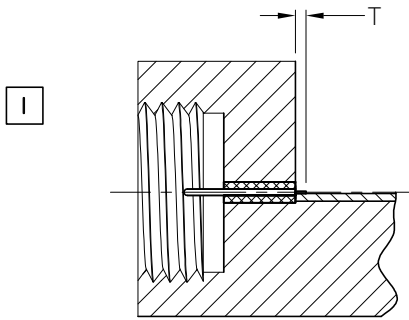
1MM STRAIGHT FEMALE, THREAD-IN .375 LONG (.009) (ACCEPT P/N: M-001G & M-002G)



* DIELECTRIC IS PTFE

.009	.029	.015	.003	.160	.125	M-002G
				.225	.187	M-001G
D1 DIA.	D2 DIA.	T	P DIA.	L1	L2	P/N

MATERIALS / CONSTRUCTIONS:
 LAUNCH PIN: BERYLLIUM COPPER ALLOY, GOLD PLATING
 DIELECTRIC: PTFE



CONNECTOR ANO 7612-5007

STEP 1
 INSTALL FIGURE M-00XG ON THE PANEL

STEP 2
 INSTALL FIGURE ANO 7612-5007 INTO STEP 1.
 (Recommended coupling torque 0.9 N.m)