

4 3 2 1

REVISIONS			
REV.	DESCRIPTION	DATE	APPROVED
A	INITIAL RELEASE	04/04/23	J Q

1.0 MATERIAL & FINISH:

SMPM CONNECTOR:

- 1 HOUSING AND SHROUD: STAINLESS STEEL, PASSIVATED
- 2 WASHER: STAINLESS STEEL, PASSIVATED
- 3 CENTER CONTACT: BERYLLIUM COPPER ALLOY, GOLD PLATED
- 4 LOCK RING HOUSING: BERYLLIUM COPPER ALLOY, NICKEL PLATED
- 5 CABLE ADAPTER: BERYLLIUM COPPER ALLOY, GOLD PLATED
- 6 INSULATOR: PTFE
- 7 SPRING: STAINLESS STEEL, PASSIVATED

ANO AFLEX141 CABLE:

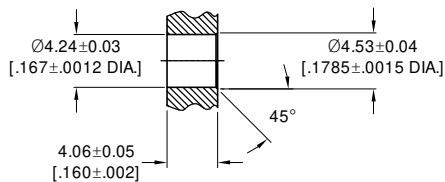
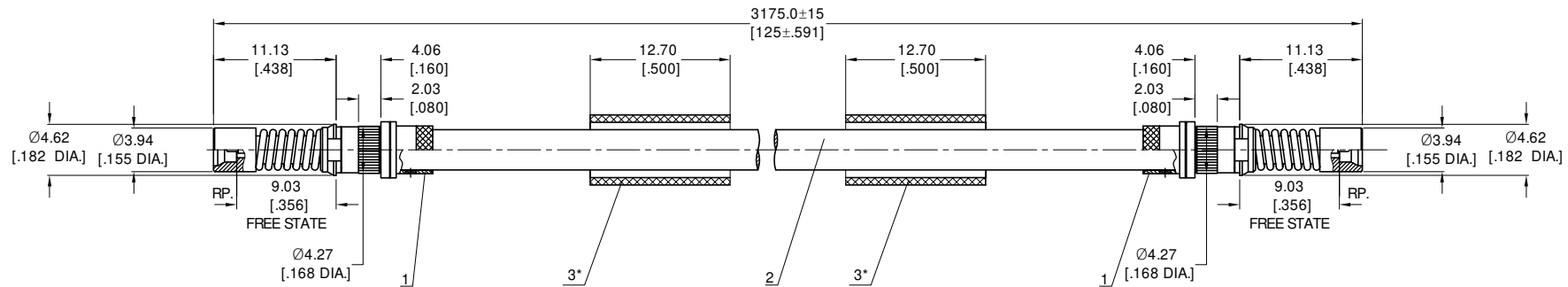
- 1 INNER CONDUCTOR: SILVER PLATED COPPER
- 2 DIELECTRIC: PTFE
- 3 OUTER CONDUCTOR: SPIRAL WRAPPED SILVER PLATED COPPER TAPE+SILVER PLATED COPPER
- 4 JACK: FEP

2.0 ELECTRICAL DATA:

- 1 IMPEDANCE: 50 OHMS
- 2 FREQUENCY RANGE: DC~26.5 GHz
- 3 VSWR: ≤1.40
- 4 INSERTION LOSS: 9.80 DB MAX.

3.0 ENVIRONMENTAL DATA:

- 1 TEMPERATURE RANGE: -55 °C ~ +125 °C
- 2 2011/65/EU (RoHS) AND 2015/863/(RoHS): COMPLIANT
- 3 1999/45/EC (REACH): COMPLIANT



RECOMMENDED MOUNTING HOLE

SEQUENCE NUMBER	PART NO.	DESCRIPTION	QTY
3	Ø4.8X12.7	HEAT-SHRINK TUBE	2
2	AFLEX141	AFLEX141 CABLE	1
1	ANO 9411-2068	SMPM MALE SMOOTH BORE SNAP-IN FLOAT MOUNT FOR .141 CABLE	2

DRAWN	DATE	04/04/23
W. Y	DATE	04/04/23
CHECKED	DATE	04/04/23
L. Y	DATE	04/04/23
APPROVED	DATE	04/04/23
J Q	DATE	04/04/23

UNLESS OTHERWISE SPECIFIED DIMENSIONS ARE IN MILLIMETERS, DIMENSIONS IN [] ARE IN INCHES FOR CUSTOMER REFERENCE ONLY UNLESS OTHERWISE SPECIFIED TOLERANCE ARE:

XX	±0.13 [.005"]
X	±0.20 [.008"]
X	±0.50 [.019"]
X"	±1"
X"	±2"

THESE DRAWINGS AND SPECIFICATIONS ARE THE PROPERTY OF ANOISON ELECTRONICS LTD AND SHOULD NOT BE USED WITHOUT WRITTEN PERMISSION. COPYRIGHT © 2023 ANOISON ELECTRONICS LTD



TITLE			
CABLE ASSEMBLY, SMPM STRAIGHT MALE FD FLOAT MOUNT TO SMPM STRAIGHT MALE FD FLOAT MOUNT , AFLEX141 CABLE, 125 INCHES			
VIEW	PART NO.		
	AF141-SMPM(M)-SMPM(M)-125		
SIZE	SCALE	SHEET	REV.
A3	2.5:1	1/1	A

4 3 2 1