

4 3 2 1

REVISIONS			
REV.	DESCRIPTION	DATE	APPROVED
A	INITIAL RELEASE	03/09/23	J Q

1.0 MATERIAL & FINISH:

SMPM CONNECTOR:

- 1 HOUSING AND SHROUD: STAINLESS STEEL, PASSIVATED
- 2 WASHER: STAINLESS STEEL, PASSIVATED
- 3 CENTER CONTACT: BERYLLIUM COPPER ALLOY, GOLD PLATED
- 4 LOCK RING HOUSING: BERYLLIUM COPPER ALLOY, NICKEL PLATED
- 5 CABLE ADAPTER: BERYLLIUM COPPER ALLOY, GOLD PLATED
- 6 INSULATOR: PTFE
- 7 SPRING: STAINLESS STEEL, PASSIVATED

SMA CONNECTOR:

- 1 BODY: BRASS, GOLD PLATED
- 2 CENTER CONTACT: BRASS, GOLD PLATED
- 3 INSULATOR: PTFE
- 4 COUPLING NUT: STAINLESS STEEL, PASSIVATED

ANO AFLEX141 CABLE:

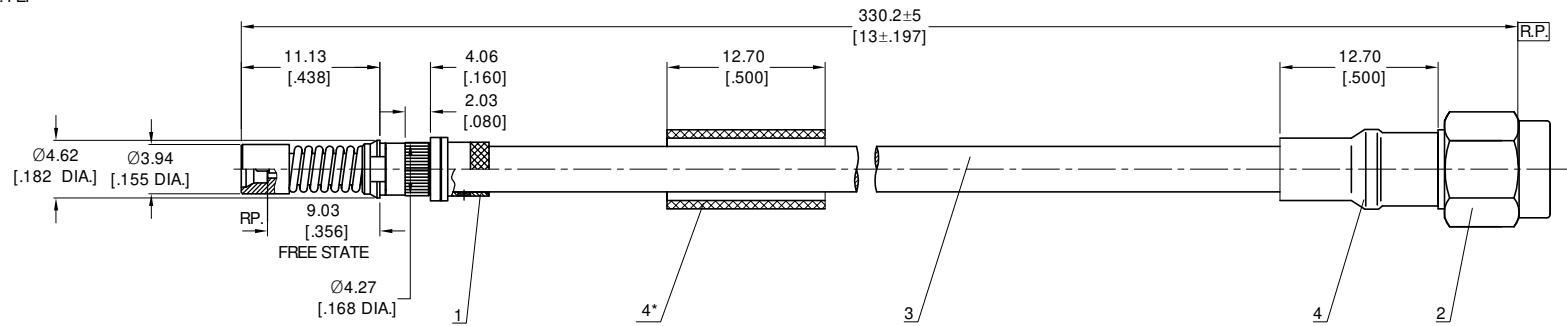
- 1 INNER CONDUCTOR: SILVER PLATED COPPER
- 2 DIELECTRIC: PTFE
- 3 OUTER CONDUCTOR: SPIRAL WRAPPED SILVER PLATED COPPER TAPE+ SILVER PLATED COPPER
- 4 JACK: FEP

2.0 ELECTRICAL DATA:

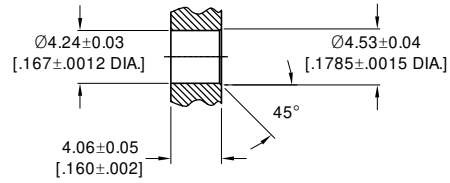
- 1 IMPEDANCE: 50 OHMS
- 2 FREQUENCY RANGE: DC~26.5 GHz
- 3 VSWR: ≤ 1.35
- 4 INSERTION LOSS: $0.072 \times L + 0.50$ DB TYP. @ 26.5 GHz

3.0 ENVIRONMENTAL DATA:

- 1 TEMPERATURE RANGE: -55 °C ~ +125 °C
- 2 2011/65/EU (RoHS) AND 2015/863/(RoHS): COMPLIANT
- 3 1999/45/EC (REACH): COMPLIANT



SEQUENCE NUMBER	PART NO.	DESCRIPTION	QTY
4	Ø5X12.7	ADHESIVE HEAT-SHRINK TUBE	2
3	AFLEX141	AFLEX141 CABLE	1
2	ANO 2111-2512-1	SMA STRAIGHT MALE SOLDER FOR .141 CABLE	1
1	ANO 9411-2068	SMPM MALE SMOOTH BORE SNAP-IN FLOAT MOUNT FOR .141 CABLE	1



RECOMMENDED MOUNTING HOLE

DRAWN	DATE	03/09/23
CHECKED	DATE	03/09/23
APPROVED	DATE	03/09/23
UNLESS OTHERWISE SPECIFIED DIMENSIONS ARE IN MILLIMETERS, DIMENSIONS IN [] ARE IN INCHES FOR CUSTOMER REFERENCE ONLY UNLESS OTHERWISE SPECIFIED TOLERANCE ARE:		
XX	±0.13	[.005"]
X	±0.20	[.008"]
X	±0.50	[.019"]
X"	±1"	
X"	±2"	

THESE DRAWINGS AND SPECIFICATIONS ARE THE PROPERTY OF ANOISON ELECTRONICS LTD AND SHOULD NOT BE USED WITHOUT WRITTEN PERMISSION COPYRIGHT © 2023 ANOISON ELECTRONICS LTD



TITLE			
CABLE ASSEMBLY, SMPM STRAIGHT MALE SB FLOAT MOUNT TO SMA STRAIGHT MALE, AFLEX141 CABLE, 13 INCHES			
VIEW	PART NO.		
	AF141-SMPMM-SMAM-13		
SIZE	SCALE	SHEET	REV.
A3	2.5:1	1/1	A

4 3 2 1