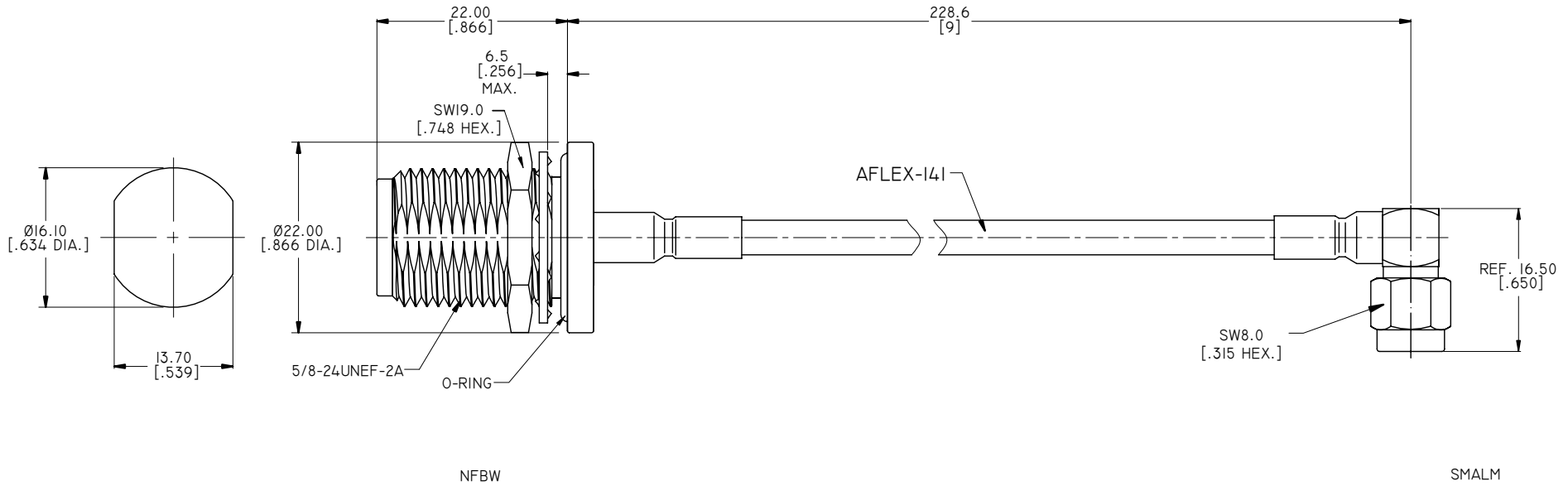


ELECTRICAL SPECIFICATIONS:
 1 IMPEDANCE: 50 Ω
 2 FREQUENCY RANGE: DC~6GHZ
 3 VSWR: 1.30 MAX. DC~3GHZ
 1.50 MAX. 3~6GHZ



TITLE
 CABLE ASSEMBLY, N STRAIGHT BULKHEAD FEMALE
 TO SMA R/A MALE, AFLEX-141 CABLE, 9 INCHS

NOTES:
 1. UNLESS OTHERWISE SPECIFIED ALL DIMENSIONS ARE NOMINAL.
 2. ALL SPECIFICATIONS ARE SUBJECT TO CHANGED WITHOUT NOTICE AT ANY TIME.
 3. DIMENSIONS ARE IN MILLIMETERS, DIMENSIONS IN [] ARE IN INCHES
 4. LENGTH TOLERANCE IS ±1.5%.

VIEW	PART NO.			
	AF141-NFBW-SMALM-9			
SIZE	SCALE	SHEET	REV.	
A3	2:1	I/I	A	