

4 3 2 1

**MATERIAL & FINISH:**

**SMA CONNECTOR:**

- 1 BODY: BRASS, GOLD PLATED
- 2 CENTER CONTACT: BERYLLIUM COPPER ALLOY, GOLD PLATED
- 3 INSULATOR: PTFE
- 4 COUPLING NUT: STAINLESS STEEL, PASSIVATED
- 5 RETAINING RING: BERYLLIUM COPPER ALLOY, NICKEL PLATED

**4.3-10 CONNECTOR:**

- 1 BODY: BRASS, ALBALOY PLATED
- 2 CENTER CONTACT: BERYLLIUM COPPER ALLOY, SILVER PLATED
- 3 OUTER CONTACT: BRASS, ALBALOY PLATED
- 4 INSULATOR: PTFE
- 5 O-RING: SILICONE RUBBER

**AFLEX-141 CABLE:**

- 1 INNER CONDUCTOR: SILVER PLATED COPPER
- 2 DIELECTRIC: PTFE
- 3 OUTER CONDUCTOR: SPRIAL WRAPPED SILVER PLATED COPPER TAPE+SILVER PLATED COPPER BRAID
- 4 JACKET: FEP

**ELECTRICAL DATA:**

- 1 IMPEDANCE: 50 OHMS
- 2 FREQUENCY RANGE: DC-6 GHz
- 3 VSWR: 1.20 MAX.
- 4 INSERTION LOSS: 0.75 DB MAX.

**ENVIRONMENTAL DATA:**

- 1 TEMPERATURE RANGE: -55°C~+125°C
- 2 2011/65/EU(RoHS) AND 2015/863/(RoHS): COMPLIANT
- 3 1907/2006/EC(REACH): COMPLIANT

REVISIONS

| REV. | DESCRIPTION     | DATE     | APPROVED |
|------|-----------------|----------|----------|
| A    | INITIAL RELEASE | 03/03/23 | J. Q     |

D

D

C

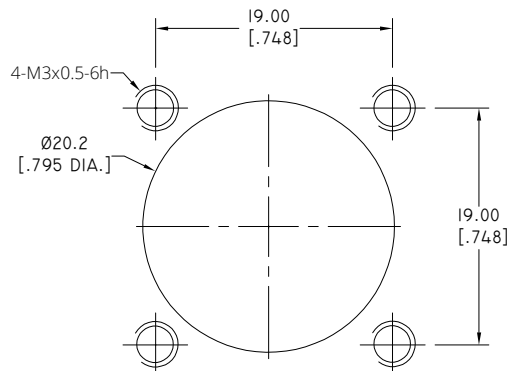
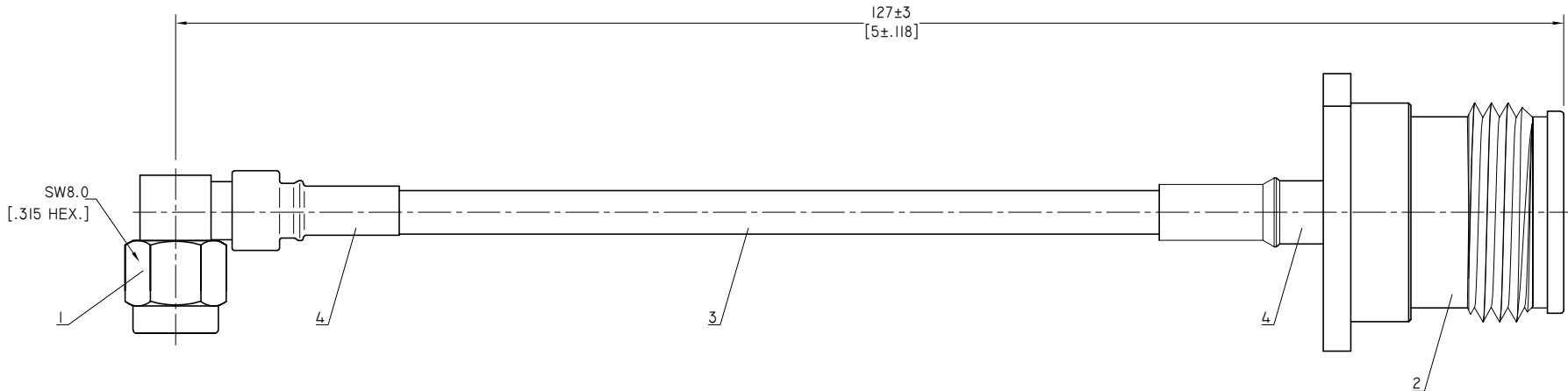
C

B

B

A

A



RECOMMEND MOUNTING HOLE FOR 4.3-10 FEMALE CONNECTOR

| SEQUENCE NUMBER | PART NO.      | DESCRIPTION                                                 | QTY |
|-----------------|---------------|-------------------------------------------------------------|-----|
| 4               | Ø6X15         | ADHESIVE HEAT-SHRINK TUBE                                   | 2   |
| 3               | ANO AF141     | ANO AFLEX-141 CABLE                                         | 1   |
| 2               | ANO 4712-2051 | 4.3-10 STRAIGHT FEMALE, 4 HOLE FLANGE SOLDER FOR .141 CABLE | 1   |
| 1               | ANO 2121-2378 | SMA RIGHT ANGLE MALE SOLDER FOR .141 CABLE                  | 1   |

|                                                                                                                                                                 |                |                                                                                                                                                                          |          |
|-----------------------------------------------------------------------------------------------------------------------------------------------------------------|----------------|--------------------------------------------------------------------------------------------------------------------------------------------------------------------------|----------|
| DRAWN                                                                                                                                                           | W. Y           | DATE                                                                                                                                                                     | 03/03/23 |
| CHECKED                                                                                                                                                         | X. Y           | DATE                                                                                                                                                                     | 03/03/23 |
| APPROVED                                                                                                                                                        | J. Q           | DATE                                                                                                                                                                     | 03/03/23 |
| UNLESS OTHERWISE SPECIFIED DIMENSIONS ARE IN MILLIMETERS, DIMENSIONS IN [ ] ARE IN INCHES FOR CUSTOMER REFERENCE ONLY UNLESS OTHERWISE SPECIFIED TOLERANCE ARE: |                | THESE DRAWINGS AND SPECIFICATIONS ARE THE PROPERTY OF ANOISON ELECTRONICS LTD AND SHOULD NOT BE USED WITHOUT WRITTEN PERMISSION COPYRIGHT © 2023 ANOISON ELECTRONICS LTD |          |
| .XX                                                                                                                                                             | ±0.13 [ .005"] |                                                                                                                                                                          |          |
| .X                                                                                                                                                              | ±0.20 [ .008"] |                                                                                                                                                                          |          |
| X°                                                                                                                                                              | ±0.50 [ .019"] |                                                                                                                                                                          |          |
| X"                                                                                                                                                              | ±1°            |                                                                                                                                                                          |          |
| X°                                                                                                                                                              | ±2°            |                                                                                                                                                                          |          |

**ANOISON**

TITLE  
CABLE ASSEMBLY, 4.3-10 STRAIGHT FEMALE TO SMA RIGHT ANGLE MALE, ANO AFLEX141 CABLE

VIEW

PART NO. AF141-4310F-SMALM-5

|      |       |       |      |
|------|-------|-------|------|
| SIZE | SCALE | SHEET | REV. |
| A3   | 2.5:1 | 1/1   | A    |

4 3 2 1