

REVISIONS			
REV.	DESCRIPTION	DATE	APPROVED
A	INITIAL RELEASE	07/25/23	J. Q

1.0 MATERIAL & FINISH:

SMA CONNECTOR:

- 1 BODY : BRASS, GOLD PLATED
- 2 CENTER CONTACT: BERYLLIUM COPPER ALLOY, GOLD PLATED
- 3 INSULATOR: PTFE
- 4 COUPLING NUT: STAINLESS STEEL, PASSIVATED

SMP CONNECTOR:

- 1 BODY: BERYLLIUM COPPER ALLOY, GOLD PLATED
- 2 SPRING: STAINLESS STEEL, PASSIVATED
- 3 CENTER CONTACT: BERYLLIUM COPPER ALLOY, GOLD PLATED
- 4 INSULATOR: PTFE
- 5 QUARTERTURN NUT: STAINLESS STEEL, PASSIVATED

AFLEX086 CABLE:

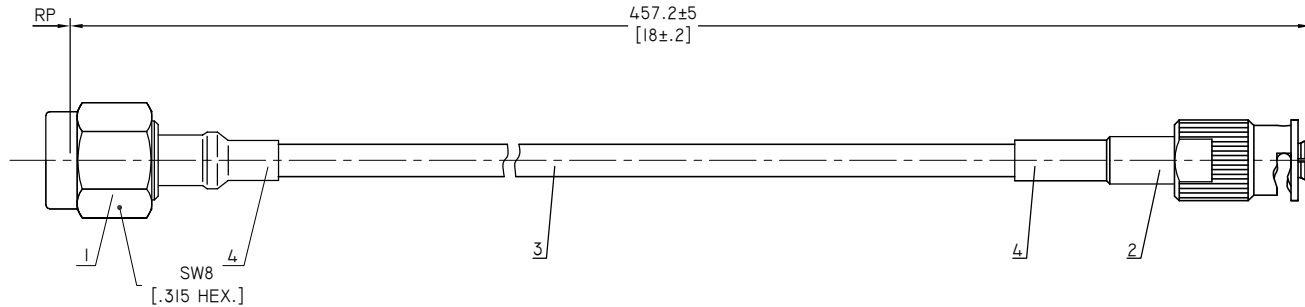
- 1 INNER CONDUCTOR: SILVER PLATED COPPER
- 2 DIELECTRIC: PTFE
- 3 OUTER CONDUCTOR: SPIRAL WRAPPED SILVER PLATED COPPER TAPE +SILVER PLATED COPPER BRAID
- 4 JACKET: BLUE FEP

2.0 ELECTRICAL DATA:

- 1 IMPEDANCE: 50 OHMS
- 2 FREQUENCY RANGE: DC~18 GHZ
- 3 VSWR: 1.30 MAX.
- 4 INSERTION LOSS: 1.78 DB MAX.

3.0 ENVIRONMENTAL DATA:

- 1 TEMPERATURE RANGE: -40°C~+125°C
- 2 2011/65/EU (RoHS): COMPLIANT
- 3 1999/45/EC(REACH): COMPLIANT



4	ANO8.687.102	ADHESIVE HEAT-SHRINK TUBE, Ø4X20 (BLACK)	2
3	AFLEX086	AFLEX086 CABLE	1
2	ANO 9312-2082	SMP-QT(SMP QUARTERTURN) STRAIGHT FEMALE NUT FOR .086 CABLE	1
1	ANO 2111-2182-2	SMA STRAIGHT MALE SOLDER FOR .086 CABLE	1
SEQUENCE NUMBER	PART NO.	DESCRIPTION	QTY

DRAWN	DATE	07/25/23
W. Y	DATE	07/25/23
CHECKED	DATE	07/25/23
X. Y	DATE	07/25/23
APPROVED	DATE	07/25/23
J. Q	DATE	07/25/23
UNLESS OTHERWISE SPECIFIED DIMENSIONS ARE IN MILLIMETERS, DIMENSIONS IN [] ARE IN INCHES FOR CUSTOMER REFERENCE ONLY UNLESS OTHERWISE SPECIFIED TOLERANCE ARE:		THESE DRAWINGS AND SPECIFICATIONS ARE THE PROPERTY OF ANOISON ELECTRONICS LTD AND SHOULD NOT BE USED WITHOUT WRITTEN PERMISSION COPYRIGHT © 2023 ANOISON ELECTRONICS LTD
.XX	±0.20 [.0075"]	
.X	±0.40 [.015"]	
X	±0.50 [.019"]	
X*	±1°	
X*	±2°	

ANOISON

TITLE
CABLE ASSEMBLY, SMA STRAIGHT MALE TO SMP-QT STRAIGHT FEMALE, AFLEX086 CABLE, 18 INCHES

VIEW

PART NO.
AF086-SMP(QT)F-SMAM-18

SIZE	SCALE	SHEET	REV.
A3	2.5:1	1/1	A