

REVISIONS			
REV.	DESCRIPTION	DATE	APPROVED
A	INITIAL RELEASE	07/11/23	J. Q

**1.0 MATERIAL & FINISH:**

**SMA CONNECTOR:**

- 1 BODY : BRASS, GOLD PLATED
- 2 CENTER CONTACT: BERYLLIUM COPPER ALLOY, GOLD PLATED
- 3 INSULATOR: PTFE
- 4 COUPLING NUT: STAINLESS STEEL, PASSIVATED

**SMPM CONNECTOR:**

- 1 BODY: BERYLLIUM COPPER ALLOY, GOLD PLATED
- 2 SPRING: STAINLESS STEEL, PASSIVATED
- 3 CENTER CONTACT: BERYLLIUM COPPER ALLOY, GOLD PLATED
- 4 INSULATOR: PTFE
- 5 QUARTERTURN NUT: STAINLESS STEEL, PASSIVATED

**AFLEX086 CABLE:**

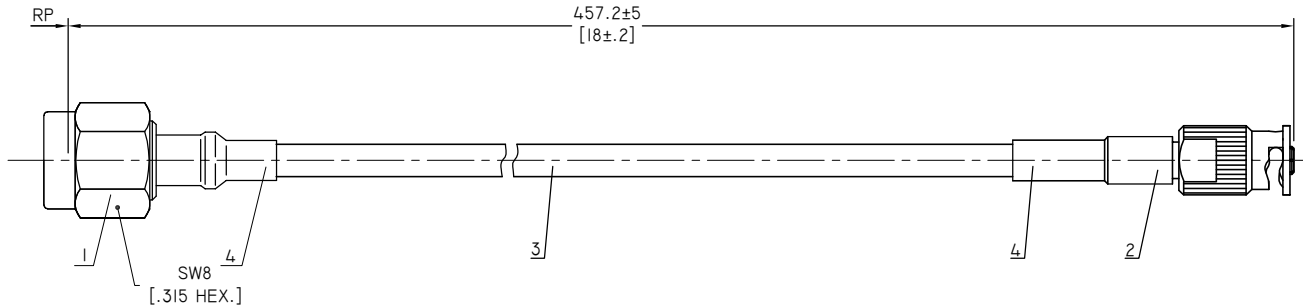
- 1 INNER CONDUCTOR: SILVER PLATED COPPER
- 2 DIELECTRIC: PTFE
- 3 OUTER CONDUCTOR: SPIRAL WRAPPED SILVER PLATED COPPER TAPE +SILVER PLATED COPPER BRAID
- 4 JACKET: BLUE FEP

**2.0 ELECTRICAL DATA:**

- 1 IMPEDANCE: 50 OHMS
- 2 FREQUENCY RANGE: DC~18 GHZ
- 3 VSWR: 1.30 MAX.
- 4 INSERTION LOSS: 1.78 DB MAX.

**3.0 ENVIRONMENTAL DATA:**

- 1 TEMPERATURE RANGE: -40°C~+125°C
- 2 2011/65/EU ( RoHS): COMPLIANT
- 3 1999/45/EC(REACH): COMPLIANT



4	ANO8.687.102	ADHESIVE HEAT-SHRINK TUBE, Ø4X20 (BLACK)	2
3	AFLEX086	AFLEX086 CABLE	1
2	ANO 9412-2021	SMPM-QT(SMPM QUARTERTURN) STRAIGHT FEMALE NUT FOR .086 CABLE	1
1	ANO 2111-2182-2	SMA STRAIGHT MALE SOLDER FOR .086 CABLE	1
SEQUENCE NUMBER	PART NO.	DESCRIPTION	QTY

DRAWN	DATE	07/11/23
W. Y	DATE	07/11/23
CHECKED	DATE	07/11/23
X. Y	DATE	07/11/23
APPROVED	DATE	07/11/23
J. Q	DATE	07/11/23
UNLESS OTHERWISE SPECIFIED DIMENSIONS ARE IN MILLIMETERS, DIMENSIONS IN [ ] ARE IN INCHES FOR CUSTOMER REFERENCE ONLY UNLESS OTHERWISE SPECIFIED TOLERANCE ARE:		THESE DRAWINGS AND SPECIFICATIONS ARE THE PROPERTY OF ANOISON ELECTRONICS LTD AND SHOULD NOT BE USED WITHOUT WRITTEN PERMISSION COPYRIGHT © 2023 ANOISON ELECTRONICS LTD
.XX	±0.20 [.0075"]	
.X	±0.40 [.015"]	
X	±0.50 [.019"]	
X*	±1°	
X*	±2°	

**ANOISON**

**TITLE**  
CABLE ASSEMBLY, SMA STRAIGHT MALE TO SMPM-QT STRAIGHT FEMALE, AFLEX086 CABLE, 18 INCHES

**VIEW**

**PART NO.**  
AF086-SMPM(QT)F-SMAM-18

<b>SIZE</b> A3	<b>SCALE</b> 2.5:1	<b>SHEET</b> 1/1	<b>REV.</b> A
-------------------	-----------------------	---------------------	------------------