

MATERIAL & FINISH:

1.0MM CONNECTOR:

- 1 BODY: STAINLESS STEEL, PASSIVATED
- 2 CENTER CONTACT: BERYLLIUM COPPER ALLOY, GOLD PLATED
- 3 INSULATOR: PEI
- 4 SOLDER FERRULE: BRASS, GOLD PLATED
- 5 COUPLING NUT: STAINLESS STEEL, PASSIVATED

AFLEX047 CABLE:

- 1 INNER CONDUCTOR: SILVER PLATED COPPER
- 2 DIELECTRIC: FEP
- 3 INNER SHIELD: HELICALLY OVERLAPPED FLAT SILVER PLATED COPPER
- 4 BRAID SHIELD: SILVER PLATED COPPER
- 5 JACKET: FEP

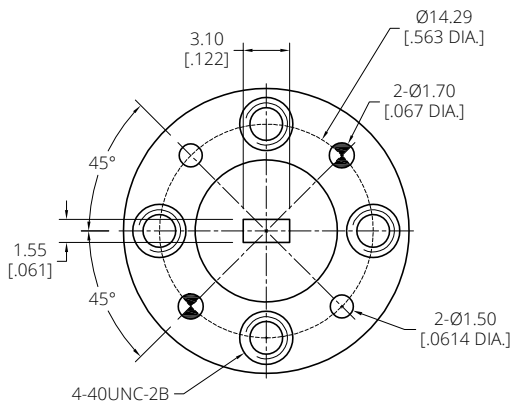
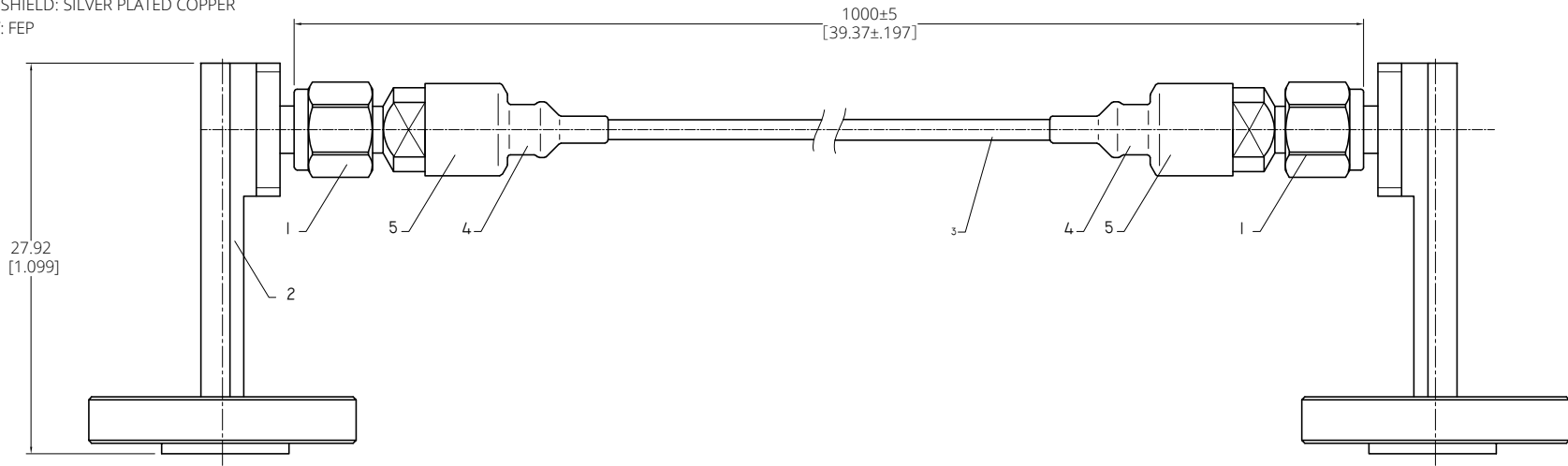
ELECTRICAL DATA:

- 1 IMPEDANCE: 50 Ω
- 2 FREQUENCY RANGE: 75-110 GHz
- 3 VSWR: 1.80 MAX.
- 4 INSERTION LOSS: 2.4 dB+13.5 dB/m

ENVIRONMENTAL DATA:


- 1 TEMPERATURE RANGE: -55°C~+125°C
- 2 2011/65/EU(RoHS) AND 2015/863/(RoHS): COMPLIANT
- 3 1999/45/EC(REACH): COMPLIANT

REVISIONS			
REV.	DESCRIPTION	DATE	APPROVED
A	INITIAL RELEASE	10/18/24	J. Q

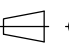



SEQUENCE NUMBER	PART NO.	DESCRIPTION	QTY
5	ANO 8.687.107	ADHESIVE HEAT-SHRINK TUBE Ø6.4*15	2
4	ANO 8.687.159	ADHESIVE HEAT-SHRINK TUBE Ø3.5*15	2
3	AFLEX047	AFLEX047 CABLE	1
2	WR12-1-01	WR12 WAVEGUIDE TO COAXIAL 1.0mm RIGHT ANGLE ADAPTERS	2
1	ANO 7611-2011	1.0MM STRAIGHT MALE SOLDER FOR .047 CABLE	2

DRAWN	W. Y	DATE	10/18/24
CHECKED	X. Y	DATE	10/18/24
APPROVED	J. Q	DATE	10/18/24
UNLESS OTHERWISE SPECIFIED DIMENSIONS ARE IN MILLIMETERS, DIMENSIONS IN [] ARE IN INCHES FOR CUSTOMER REFERENCE ONLY UNLESS OTHERWISE SPECIFIED TOLERANCE ARE:		THESE DRAWINGS AND SPECIFICATIONS ARE THE PROPERTY OF ANOISON ELECTRONICS LTD AND SHOULD NOT BE USED WITHOUT WRITTEN PERMISSION COPYRIGHT © 2024 ANOISON ELECTRONICS LTD	
XX	±0.13 [005"]		
X	±0.20 [008"]		
X	±0.50 [019"]		
X°	±1°		
X"	±2°		



TITLE
CABLE ASSEMBLY, WR12(1M) TO WR12(1M), ANO AFLEX047 CABLE, 1 METERS

VIEW	PART NO. AF047-WR12(1M)-WR12(1M)-1M
	SIZE A3
	SCALE 5:1
	SHEET 1/1
	REV. A