

4

3

2

1

**MATERIAL & FINISH:**

**CABLE CONNECTOR:**

- I.1 BODY: STAINLESS STEEL, PASSIVATED
- I.2 CENTER CONTACT: BERYLLIUM COPPER ALLOY, GOLD PLATED
- I.3 INSULATOR: PEI
- I.4 SOLDER FERRULE: BRASS, GOLD PLATED
- I.5 COUPLING NUT: STAINLESS STEEL, PASSIVATED

**MATERIAL & FINISH:**

**ANO AFLEX047 CABLE:**

- I.1 INNER CONDUCTOR: SILVER PLATED COPPER
- I.2 DIELECTRIC: FEP
- I.3 INNER SHIELD: HELICALLY OVERLAPPED FLAT SILVER PLATED COPPER
- I.4 BRAID SHIELD: SILVER PLATED COPPER
- I.5 JACKET: FEP

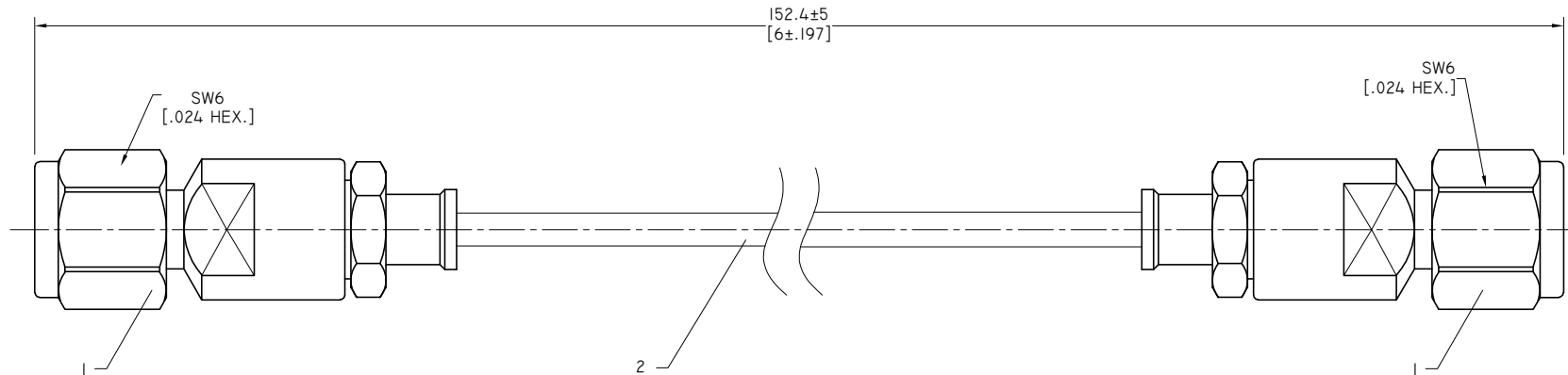
**1.0 ELECTRICAL DATA:**

- I.1 IMPEDANCE: 50±5% OHMS
- I.2 FREQUENCY RANGE: DC-110 GHZ

**2.0 ENVIRONMENTAL DATA:**

- 2.1 TEMPERATURE RANGE: -40°C~+125°C
- 2.2 2011/65/EU (RoHS): COMPLIANT

REVISIONS			
REV.	DESCRIPTION	DATE	APPROVED
A	INITIAL RELEASE	08/26/20	J. QU



SEQUENCE NUMBER	PART NO.	DESCRIPTION	QTY
2	ANO AFLEX047	AFLEX047 CABLE	1
1	ANO 7611-2011	1.0MM STRAIGHT SOLDER FOR MOLEX 047SC-2901 CABLE	2

DRAWN	DATE	
W. YANG	08/26/20	
CHECKED	DATE	
X. B. YANG	08/26/20	TITLE
APPROVED	DATE	
J. QU	08/26/20	047 COAXIAL CABLE IMM MALE TO IMM MALE,6 INCHES
UNLESS OTHERWISE SPECIFIED DIMENSIONS ARE IN MILLIMETERS, DIMENSIONS IN [ ] ARE IN INCHES FOR CUSTOMER REFERENCE ONLY UNLESS OTHERWISE SPECIFIED TOLERANCE ARE:		PART NO. AF047-1M-IM-6
.XX	±0.13 [.005"]	
.X	±0.20 [.008"]	
X	±0.50 [.019"]	
X°	±1°	
X°	±2°	VIEW
THESE DRAWINGS AND SPECIFICATIONS ARE THE PROPERTY OF ANOISON ELECTRONICS LTD AND SHOULD NOT BE USED WITHOUT WRITTEN PERMISSION COPYRIGHT © 2020 ANOISON ELECTRONICS LTD		SIZE A3
		SCALE 2.5:1
		SHEET 1/1
		REV. A

4

3

2

1