

4

3

2

1

MATERIAL & FINISH:**CABLE CONNECTOR:**

- I.1 BODY: STAINLESS STEEL, PASSIVATED
 I.2 CENTER CONTACT: BERYLLIUM COPPER ALLOY, GOLD PLATED
 I.3 INSULATOR: PEI
 I.4 SOLDER FERRULE: BRASS, GOLD PLATED
 I.5 COUPLING NUT: STAINLESS STEEL, PASSIVATED

MATERIAL & FINISH:**ANO AFLEX047 CABLE:**

- I.1 INNER CONDUCTOR: SILVER PLATED COPPER
 I.2 DIELECTRIC: FEP
 I.3 INNER SHIELD: HELICALLY OVERLAPPED FLAT SILVER PLATED COPPER
 I.4 BRAID SHIELD: SILVER PLATED COPPER
 I.5 JACKET: FEP

1.0 ELECTRICAL DATA:

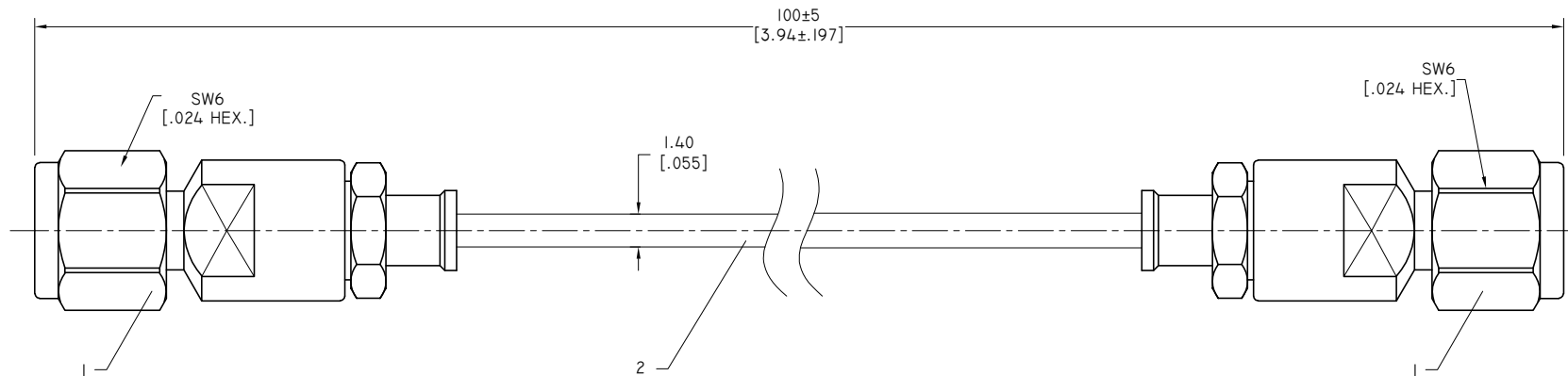
- I.1 IMPEDANCE: 50±5% OHMS
 I.2 FREQUENCY RANGE: DC-110 GHZ

2.0 ENVIRONMENTAL DATA:

- 2.1 TEMPERATURE RANGE: -40°C~+125°C
 2.2 2011/65/EU (RoHS): COMPLIANT

REVISIONS

REV.	DESCRIPTION	DATE	APPROVED
A	INITIAL RELEASE	04/15/20	J. QU



SEQUENCE NUMBER	PART NO.	DESCRIPTION	QTY
2	ANO AFLEX047	AFLEX047 CABLE	1
1	ANO 7611-2011	1.0MM STRAIGHT SOLDER FOR MOLEX 047SC-290I CABLE	2

DRAWN	DATE
W. YANG	04/15/20
CHECKED	DATE
X. B. YANG	04/15/20
APPROVED	DATE
J. QU	04/15/20
UNLESS OTHERWISE SPECIFIED DIMENSIONS ARE IN MILLIMETERS, DIMENSIONS IN [] ARE IN INCHES FOR CUSTOMER REFERENCE ONLY UNLESS OTHERWISE SPECIFIED TOLERANCE ARE:	
.XX	±0.13 [.005"]
.X	±0.20 [.008"]
X	±0.50 [.019"]
X°	±1°
X"	±2°
THESE DRAWINGS AND SPECIFICATIONS ARE THE PROPERTY OF ANOISON ELECTRONICS LTD AND SHOULD NOT BE USED WITHOUT WRITTEN PERMISSION COPYRIGHT © 2020 ANOISON ELECTRONICS LTD	



TITLE
047 COAXIAL CABLE IMM MALE TO IMM MALE,100MM

VIEW	PART NO.	SIZE	SCALE	SHEET	REV.
	AF047-IM-IM-100MM	A3	2.5:1	1/1	A