

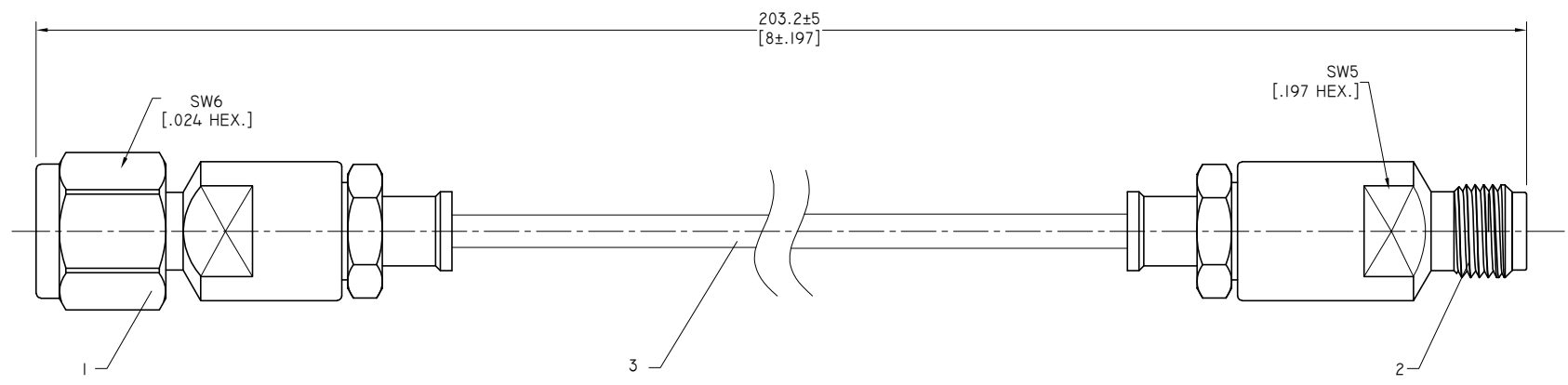
4 | 3 | 2 | 1

REVISIONS			
REV.	DESCRIPTION	DATE	APPROVED
A	INITIAL RELEASE	08/26/20	J. QU

**MATERIAL & FINISH:**  
**CABLE CONNECTOR:**  
 I.1 BODY: STAINLESS STEEL, PASSIVATED  
 I.2 CENTER CONTACT: BERYLLIUM COPPER ALLOY, GOLD PLATED  
 I.3 INSULATOR: PEI  
 I.4 SOLDER FERRULE: BRASS, GOLD PLATED  
 I.5 COUPLING NUT: STAINLESS STEEL, PASSIVATED

**MATERIAL & FINISH:**  
**ANO AFLEX047 CABLE:**  
 I.1 INNER CONDUCTOR: SILVER PLATED COPPER  
 I.2 DIELECTRIC: FEP  
 I.3 INNER SHIELD: HELICALLY OVERLAPPED FLAT SILVER PLATED COPPER  
 I.4 BRAID SHIELD: SILVER PLATED COPPER  
 I.5 JACKET: FEP

**1.0 ELECTRICAL DATA:**  
 1.1 IMPEDANCE: 50±5% OHMS  
 1.2 FREQUENCY RANGE: DC-110 GHZ  
  
**2.0 ENVIRONMENTAL DATA:**  
 2.1 TEMPERATURE RANGE: -40°C~+125°C  
 2.2 2011/65/EU (RoHS): COMPLIANT



SEQUENCE NUMBER	PART NO.	DESCRIPTION	QTY
3	ANO AFLEX047	AFLEX047 CABLE	1
2	ANO 7612-2010	1.0MM STRAIGHT FEMALE SOLDER FOR .047 CABLE	1
1	ANO 7611-2011	1.0MM STRAIGHT MALE SOLDER FOR .047 CABLE	1

DRAWN	DATE
W. YANG	08/26/20
CHECKED	DATE
X. B. YANG	08/26/20
APPROVED	DATE
J. QU	08/26/20



UNLESS OTHERWISE SPECIFIED DIMENSIONS ARE IN MILLIMETERS, DIMENSIONS IN [ ] ARE IN INCHES FOR CUSTOMER REFERENCE ONLY UNLESS OTHERWISE SPECIFIED TOLERANCE ARE:  
 .XX ±0.13 [.005"]  
 .X ±0.20 [.008"]  
 X ±0.50 [.019"]  
 X° ±1°  
 X° ±2°

THESE DRAWINGS AND SPECIFICATIONS ARE THE PROPERTY OF ANOISON ELECTRONICS LTD AND SHOULD NOT BE USED WITHOUT WRITTEN PERMISSION COPYRIGHT © 2020 ANOISON ELECTRONICS LTD

TITLE  
 047 COAXIAL CABLE IMM MALE TO IMM FEMALE,8 INCHES

VIEW	PART NO.	SIZE	SCALE	SHEET	REV.
	AF047-1M-IF-8	A3	2.5:1	1/1	A

4 | 3 | 2 | 1