

4 3 2 1

**MATERIAL & FINISH:**

**SMPM CONNECTOR:**

- 1 BODY: BERYLLIUM COPPER ALLOY, GOLD PLATED
- 2 CENTER CONTACT: BERYLLIUM COPPER ALLOY, GOLD PLATED
- 3 INSULATOR: PTFE

**1MM CONNECTOR:**

- 1 BODY: STAINLESS STEEL, PASSIVATED
- 2 CENTER CONTACT: BERYLLIUM COPPER ALLOY, GOLD PLATED
- 3 SOLDER FERRULE: BRASS, GOLD PLATED
- 4 INSULATOR: PEI

**MATERIAL & FINISH:**

**AFLEX047 CABLE:**

- 1 INNER CONDUCTOR: SILVER PLATED COPPER
- 2 DIELECTRIC: FEP
- 3 INNER SHIELD: HELICALLY OVERLAPPED FLAT SILVER PLATED COPPER
- 4 BRAID SHIELD: SILVER PLATED COPPER
- 5 JACKET: FEP

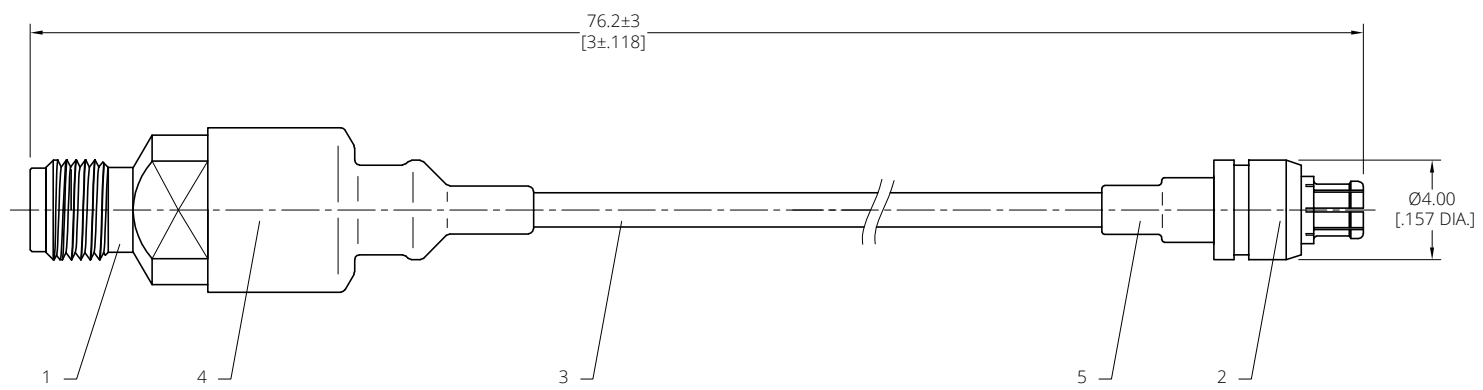
**ELECTRICAL DATA:**

- 1 IMPEDANCE: 50 Ω
- 2 FREQUENCY RANGE: DC-67 GHz
- 3 VSWR: 1.60 MAX.
- 4 INSERTION LOSS: 1.60 dB MAX.

**ENVIRONMENTAL DATA:**

- 1 TEMPERATURE RANGE: -55°C~+125°C
- 2 2011/65/EU(RoHS) AND 2015/863/(RoHS): COMPLIANT
- 3 1999/45/EC(REACH): COMPLIANT

REVISIONS			
REV.	DESCRIPTION	DATE	APPROVED
A	INITIAL RELEASE	11/01/24	J. Q



SEQUENCE NUMBER	PART NO.	DESCRIPTION	QTY
5	ANO 8.687.109	ADHESIVE HEAT-SHRINKABLE TUBING Ø3.2*10	1
4	ANO 8.687.107	ADHESIVE HEAT-SHRINKABLE TUBING Ø6.4*10	1
3	AFLEX047	AFLEX047 CABLE	1
2	ANO 9412-2063	SMPM STRAIGHT FEMALE SOLDE FOR.047 CABLE, CAPTIVE CONTACT	1
1	ANO 7612-2010	1.0MM STRAIGHT FEMALE SOLDER FOR .047 CABLE	1

DRAWN	W. Y	DATE	11/01/24
CHECKED	X. Y	DATE	11/01/24
APPROVED	J. Q	DATE	11/01/24
UNLESS OTHERWISE SPECIFIED DIMENSIONS ARE IN MILLIMETERS, DIMENSIONS IN [ ] ARE IN INCHES FOR CUSTOMER REFERENCE ONLY UNLESS OTHERWISE SPECIFIED TOLERANCE ARE:		THESE DRAWINGS AND SPECIFICATIONS ARE THE PROPERTY OF ANOISON ELECTRONICS LTD AND SHOULD NOT BE USED WITHOUT WRITTEN PERMISSION COPYRIGHT © 2024 ANOISON ELECTRONICS LTD	
XX	±0.13 [005"]		
X	±0.20 [008"]		
x	±0.50 [019"]		
x*	±1°		
x**	±2°		

**ANOISON**

TITLE  
CABLE ASSEMBLY, 1MM STRAIGHT FEMALE TO SMPM STRAIGHT FEMALE, AFLEX047 CABLE, 3 INCHES

VIEW: PART NO. AF047-1F-SMPM(F)-3

SIZE	SCALE	SHEET	REV.
A3	5:1	1/1	A

4 3 2 1